

Discontinue



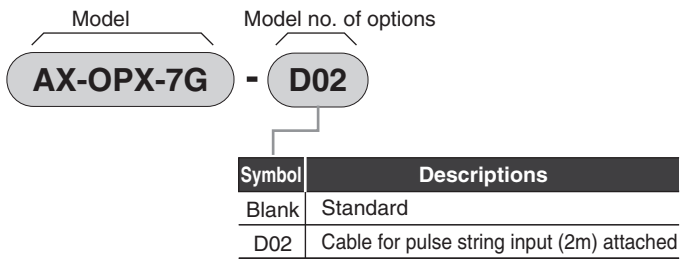
Serial transmission slave unit CC-Link **AX-OPX-7G**

● Common with GS/GH/S/H type driver

Features

- Connect the direct drive actuator to a Mitsubishi Electric PLC MELSEC-A or QnA Series field network CC-Link (ver. 1.10) by installing it on the driver's I/O connector (CN3).
- Major reductions in wiring
- I/O point
16 inputs, 14 outputs
- Whether to hold output if a communication error occurs or to turn all points off is selected with the HLD/CLR switch.
- Five transmission speeds are selectable.
- An external emergency stop input (b contact) is connected serially to the emergency stop signal with serial communication.

How to order

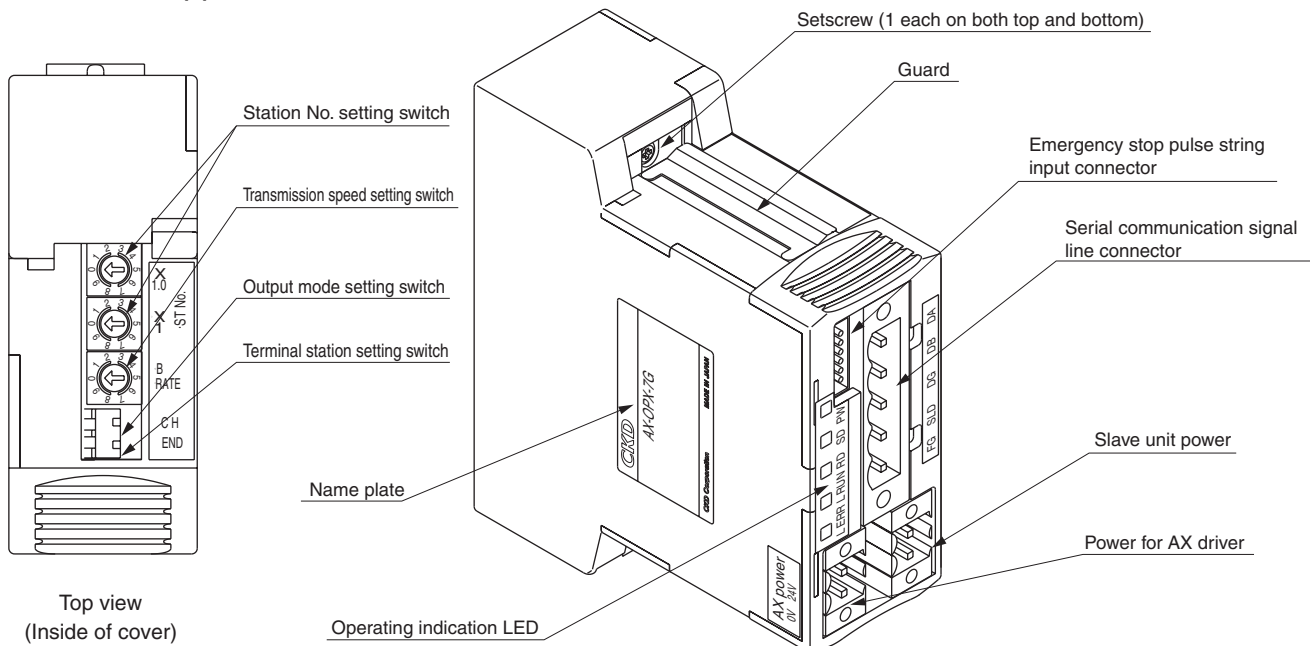


Accessory (plug)

- 1) BLZ5.08/5FAU (Weidmüller) 1 pc.
- 2) BL3.5/2F (Weidmüller) 2 pcs.
- 3) ZHR-6 (JST MFG CO. LTD.) 1 pc.

Note: When using emergency stop input from an external source, or when operating with a pulse string from an external pulse generator, designated the option model No.

Explanation of appearance



Common specifications

Descriptions	Specifications
Slave unit power	24 VDC ±10% and 100mA or less
AX driver power	24 VDC +10%, -5% or 450mA or less
Working ambient temperature range	5 to 50°C
Working ambient humidity range	30 to 85% RH (with no dew condensation)
Atmosphere	Without corrosive gas and dust
Vibration resistance	4.9m/s ²
Weight	0.15kg

Performance specifications

Descriptions	Specifications
Communication subject	CC-Link system (Ver1.10) compliant
Transmission speed	156K/625K/2.5M/5M/10M bps (select with a switch.)
Output No.	14 points
Input No.	16 points
Other inputs	Pulse string, emergency stop
Output insulation type	Photo coupler insulation
Operating indication	LED (only display of slave unit power and communication state)
Occupied unit No.	1 station (remote I/O station)
Setting switch	Station no., transmission speed, HLD/CLR, Terminal ON/OFF

Discontinue

Serial transmission slave unit DeviceNet AX-OPX-7D

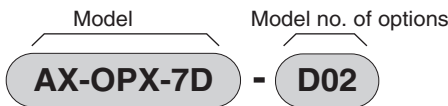
● Common with GS/GH/S/H type driver



Features

- The direct drive actuator is used with DeviceNet by installing it on the driver's I/O connector (CN3).
- Major reductions in wiring
- I/O point
16 inputs, 14 outputs
- Whether to hold output if a communication error occurs or to turn all points off is selected with the HLD/CLR switch.
- Three transmission speeds are selectable.
- An external emergency stop input (b contact) is connected serially to the emergency stop signal with serial communication.
- CE marking

How to order



Symbol	Descriptions
Blank	Standard
D02	Cable for pulse string input (2m) attached

Accessory (plug)

- 1) MSTB2.5/5-STF-5.08AUDVM (Phoenix contact) 1 pc.
- 2) BL3.5/2F (Weidmüller) 2 pcs.
- 3) ZHR-6 (JST MFG CO. LTD.) 1 pc.

Note: When using emergency stop input from an external source, or when operating with a pulse string from an external pulse generator, designate the option model No.

Common specifications

Descriptions	Specifications
Slave unit power	24 VDC ±10% and 100mA or less
AX driver power	24 VDC +10%, -5% or 450mA or less
Communication power	11 to 25 VDC 50mA or less
Working ambient temperature range	5 to 50°C
Working ambient humidity range	30 to 85%RH (with no dew condensation)
Atmosphere	Without corrosive gas and dust
Vibration resistance	4.9m/s ²
Weight	0.15kg

Performance specifications

Descriptions	Specifications
Communication subject	DeviceNet conformed
Communication speed	125k/250k/500k bps (select with a switch.)
Output No.	14 points
Input No.	16 points
Other inputs	Pulse string, emergency stop
Output insulation type	Photo coupler insulation
Operating indication	LED (power and communication state display)
Occupied byte number	Input: 2 bytes, output: 2 bytes
Setting switch	Output mode (HLD/CLR), Node address and communication speed

Explanation of appearance

