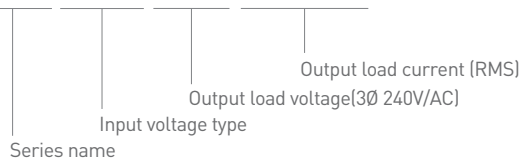


ORDERING INFORMATION

3FSA24□□



- AC Input(Trigger), AC Output
- AC Load current 16A~40A
- 3 Phase 3 Pole Type
- Zero cross



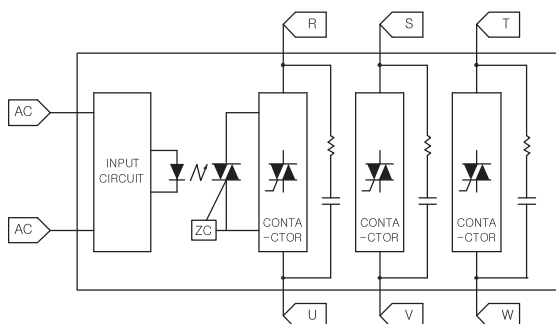
3FSA24-SERIES SPECIFICATIONS

		3FSA2416	3FSA2425	3FSA2440	UNIT
LOAD	Maximum load current LOAD	16	25	40	ARMS
	Load voltage	3Ø 85V ~ 250V AC			V
	Surge on-state current (½cycle, 60Hz)	160	250	550	A
	Maximum off-state leakage current	10	15	15	mA
	Maximum on-state voltage drop	1.5	1.6	1.8	V
INPUT	Input volage	85V ~ 250V AC			V
	Input impedance	15			kΩ
	Drop-out voltage	50			V

3FSA24-SERIES CHARACTERISTICS

	3FSA2416	3FSA2425	3FSA2440	UNIT
Operate time, max	(½ cycle of voltage sine wave)+1 msec			mS
Release time, max	(½ cycle of voltage sine wave)+1 msec			mS
Insulation resistance, min	DC 500V 100MΩ between input, output and case			MΩ
Insulation voltage	2,500Vrms between input, output and case			V
Ambient temperature	-30°C ~ +80°C			°C
Storage temperature	-30°C ~ +80°C			°C
Operational method	Zero-cross (Turn-on and Turn-off)			-

SIMPLIFIED CIRCUIT



DIMENSION

