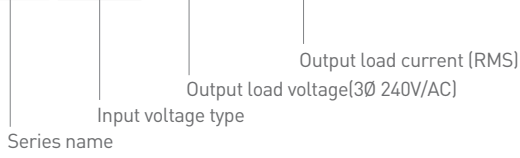


ORDERING INFORMATION

3FSD24 □ □



- DC Input(Trigger), AC Output
- AC Load current 16A~40A
- 3 Phase 3 Pole Type
- Zero cross



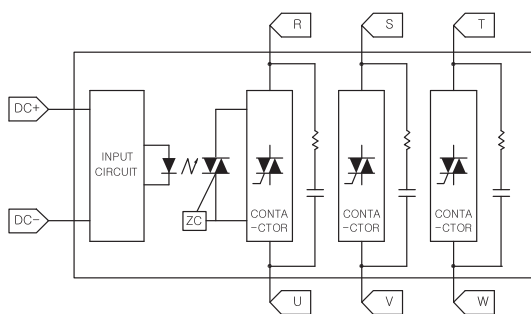
3FSD24-SERIES SPECIFICATIONS

		3FSD2416	3FSD2425	3FSD2440	UNIT
LOAD	Maximum load current LOAD	16	25	40	ARMS
	Load voltage	3Ø 85V ~ 250V AC			V
	Surge on-state current (½cycle, 60Hz)	160	250	550	A
	Maximum off-state leakage current	10	15	15	mA
	Maximum on-state voltage drop	1.5	1.6	1.8	V
INPUT	Input volage	4V ~ 32V DC			V
	Input impedance	650			Ω
	Drop-out voltage	2.5			V

3FSD24-SERIES CHARACTERISTICS

		3FSD2416	3FSD2425	3FSD2440	UNIT
Operate time, max.		(½ cycle of voltage sine wave)+1 msec			mS
Release time, max		(½ cycle of voltage sine wave)+1 msec			mS
Insulation resistance, min		DC 500V 100MΩ between input, output and case			MΩ
Insulation voltage		2,500Vrms between input, output and case			V
Ambient temperature		-30°C ~ +80°C			°C
Storage temperature		-30°C ~ +80°C			°C
Operational method		Zero-cross (Turn-on and Turn-off)			-

SIMPLIFIED CIRCUIT



DIMENSION

