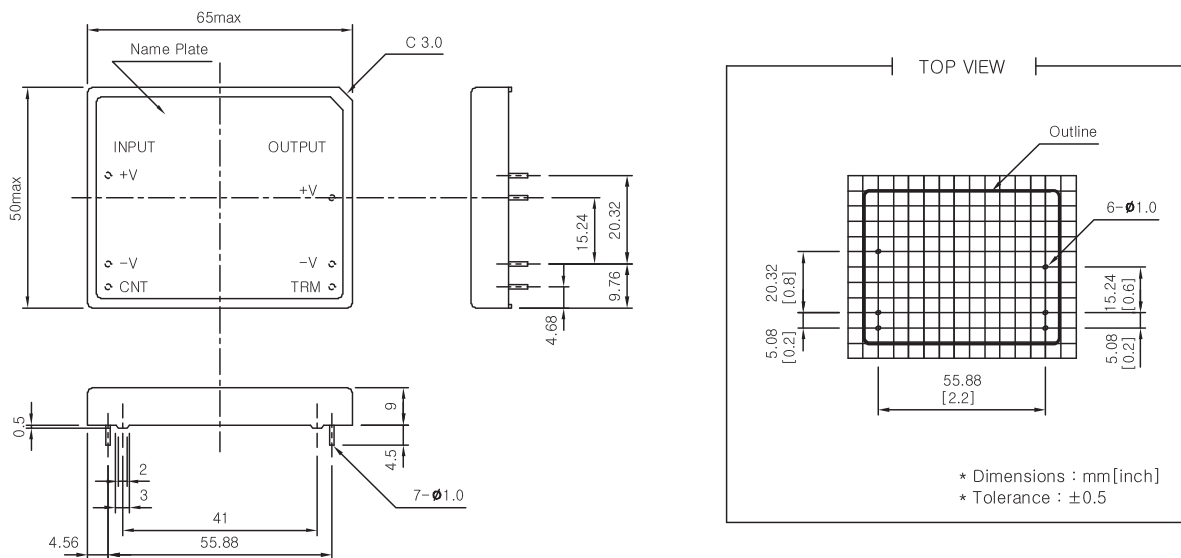


## PS25-S SPECIFICATIONS

MODEL		PS25-1205	PS25-1212	PS25-1215	PS25-2405	PS25-2409	PS25-2412	PS25-2415	PS25-483R3	PS25-4805	PS25-4812	PS25-4815
INPUT	VOLTAGE	DC12V(9 ~ 18V)			DC24V(18 ~ 36V)				DC48V(36 ~ 72V)			
	EFFICIENCY	82%	85%	85%	82%	83%	85%	85%	80%	82%	85%	85%
OUTPUT	VOLTAGE [V]	5	12	15	5	9	12	15	3.3	5	12	15
	CURRENT [mA]	400	210	170	400	270	210	170	400	400	210	170
	REGULATION, LINE [mV]	20Max	48Max	60Max	20Max	40Max	48Max	60Max	20Max	20Max	48Max	60Max
	REGULATION, LOAD [mV]	40Max	96Max	120Max	40Max	60Max	96Max	120Max	40Max	40Max	96Max	120Max
	RIPPLE [mVp-p]	80Max	120Max	120Max	80Max	100Max	120Max	120Max	80Max	80Max	120Max	120Max
	RIPPLE, NOISE [mVp-p]	120Max	150Max	150Max	120Max	150Max	150Max	150Max	120Max	120Max	150Max	150Max
	TEMPERATURE DRIFT -10~+50°C [mV]	90Max	216Max	270Max	90Max	216Max	216Max	270Max	60Max	90Max	216Max	270Max
	OUTPUT VOLTAGE SETTING [V]	Internally fixed (±5% adjustable by external pot (TRM))*										
PROTECTION CIRCUIT	OVER CURRENT PROTECTION	Works at over 105% of rating and recovers automatically.										
	OVER VOLTAGE PROTECTION	Works at over 115% ~ 145% of rating.										
ELECTRICALLY ISOLATED	INPUT-OUTPUT	AC 500V 1 minute, current 10mA, DC500V More Than 100MΩ										
	INPUT-CASE	AC 500V 1 minute, current 10mA, DC500V More Than 100MΩ										
	OUTPUT-CASE	AC 500V 1 minute, current 10mA, DC500V More Than 100MΩ										
ENVIRONMENT	OPERATING TEMP AND HUMID	-20 ~ +70°C, 20 ~ 95%RH (Non Condensing)										
	STORAGE TEMP AND HUMID	-40 ~ +85°C, 20 ~ 95%RH (Non Condensing)										
	VIBRATION	10 ~ 55Hz at 10G, 3minutes period for 60 minutes each along X,Y and Z axis										
	IMPACT	10G for 20ms once on each X, Y and Z axis										

\* TRM : By connecting TRM terminal to +Vout or -Vout, output voltage can be adjustable as the following range(3.3V : 2.84~3.67V, 5V : 4.3~6V, 12V : 12~15V)( ±5%)

## PS25-S EXTERNAL VIEW



- \* Weight : 55g
- \* Tolerance : ±0.5
- \* Dimensions in mm