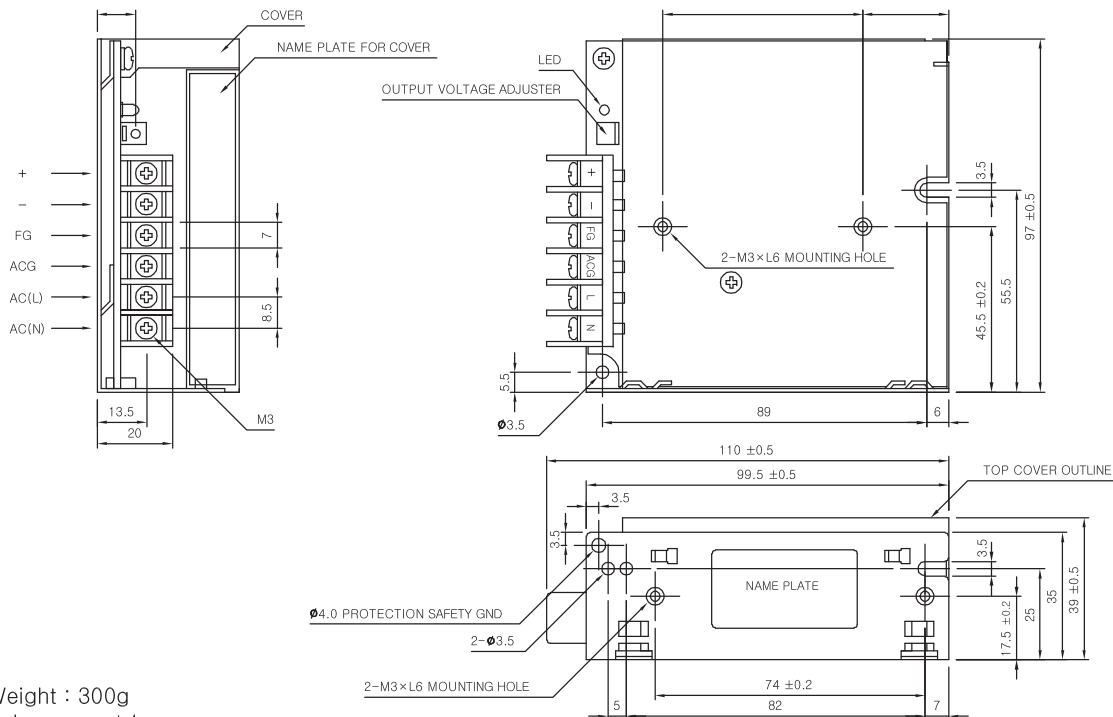


MSF25-S SPECIFICATIONS



MODEL		MSF25-3R3	MSF25-05	MSF25-09	MSF25-12	MSF25-15	MSF25-24	MSF25-48
INPUT	VOLTAGE, FREQUENCY	AC100-240V (AC85 ~ 264V or DC125 ~ 370V), 50/60Hz (47 ~ 440Hz) Universal Input.						
	CURRENT [V]	110V	0.6 (I _o =100%)					
		220V	0.3 (I _o =100%)					
	EFFICIENCY [%]	110V	60 typ	70 typ	70 typ	75 typ	75 typ	75 typ
220V								
INRUSH CURRENT		20A typ (ACIN 110V, I _o =100%), 40A typ(ACIN 220, I _o =100%) Ta=(25°C of cold start).						
OUTPUT	VOLTAGE [V]	3.3	5	9	12	15	24	48
	CURRENT [A]	5	5	2.7	2	1.6	1	0.5
	REGULATION, LINE [mV]	25 Max	25 Max	45 Max	60 Max	75 Max	120 Max	240 Max
	REGULATION, LOAD [mV]	50 Max	50 Max	90 Max	120 Max	150 Max	240 Max	480 Max
	RIPPLE [mVp-p]	50 Max	50 Max	90 Max	120 Max	150 Max	240 Max	480 Max
	RIPPLE, NOISE [mVp-p]	100 Max	100 Max	140 Max	170 Max	200 Max	290 Max	530 Max
	TEMPERATURE DRIFT 0~+50°C [mV]	50 Max	75 Max	135 Max	180 Max	225 Max	360 Max	720 Max
	RISE TIME [ms]	500 max (AC IN 110V, I _o =100%)						
	HOLDING TIME [ms]	20 typ (AC IN 110V, I _o =100%)						
PROTECTION CIRCUIT	OVER CURRENT PROTECTION	Works at over 110% of rating and recovers automatically						
	OVER VOLTAGE PROTECTION	Works at 115 ~ 140% of rating (In the case of 3.3V, it is 115 ~ 160%)						
ELECTRICALLY ISOLATED	INPUT-OUTPUT	AC 3,000V 1 minute current 20mA, DC 500V 100MΩ (At room temperature & Humidity)						
	INPUT-CASE, FG	AC 2,000V 1 minute current 20mA, DC 500V 100MΩ (At room temperature & Humidity)						
	OUTPUT-CASE, FG	AC 500V 1 minute current 100mA, DC 500V 100MΩ (At room temperature & Humidity)						
ENVIRONMENT	OPERATING TEMP AND HUMID	-10 ~ +50°C, 20 ~ 90% RH(Non condensing)						
	STORAGE TEMP AND HUMID	-20 ~ +75°C, 20 ~ 90% RH(Non condensing)						
	VIBRATION	10 ~ 55Hz at 1G, 3 minutes period, 30 minutes along X, Y and Z axis						
	IMPACT	10G for 20ms once on each X, Y and Z axis						
SAFETY	SAFETY REGULATION	UL,C-UL,CE	UL,C-UL,CE	UL,C-UL,CE	UL,C-UL,CE	UL,C-UL,CE	UL,C-UL,CE	UL,C-UL,CE
	LINE CONDUCTED RF VOLTAGE	Complied with FCC Part15 and EN55022 Class A Limits						

MSF25-S EXTERNAL VIEW



- * Weight : 300g
- * Tolerance : ±1
- * Dimensions in mm