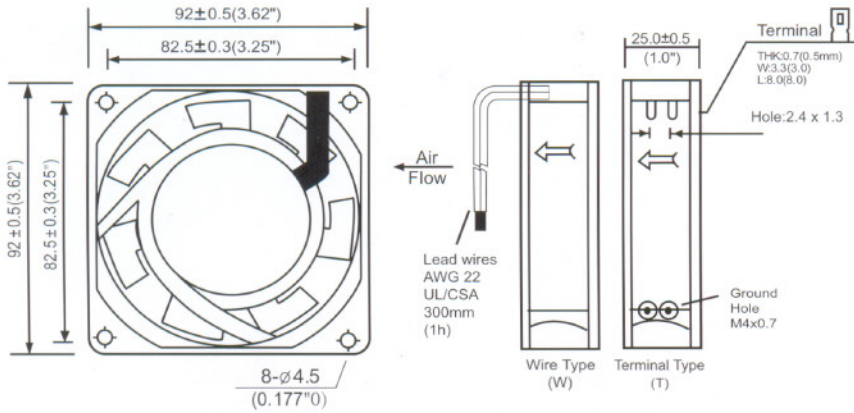
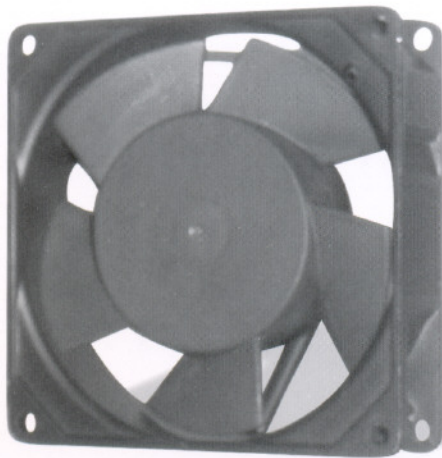
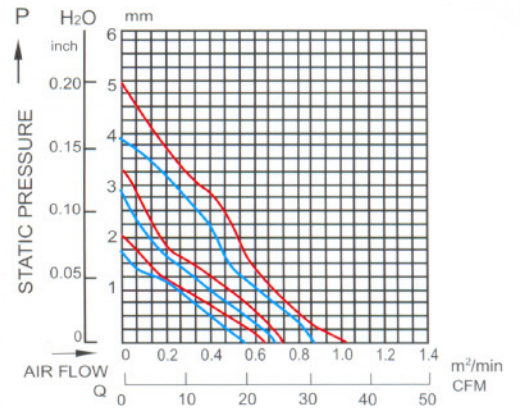


92x92x25mm

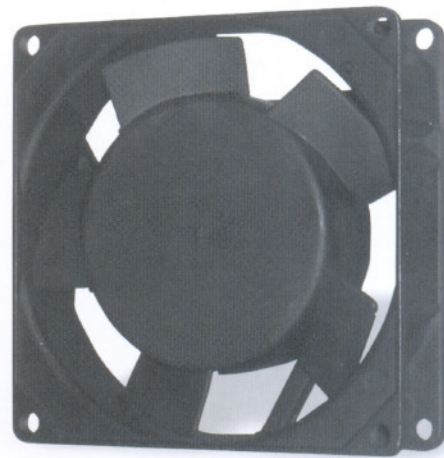
DIMENSION:MM



PERFORMANCE



9225

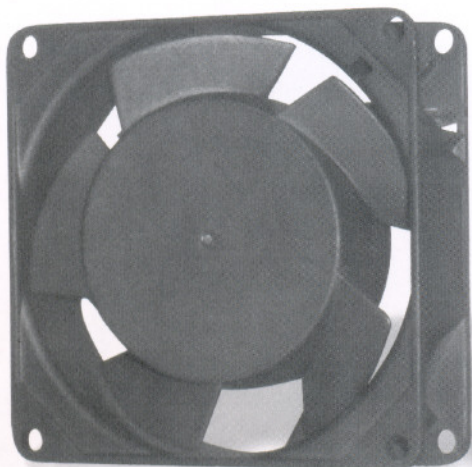
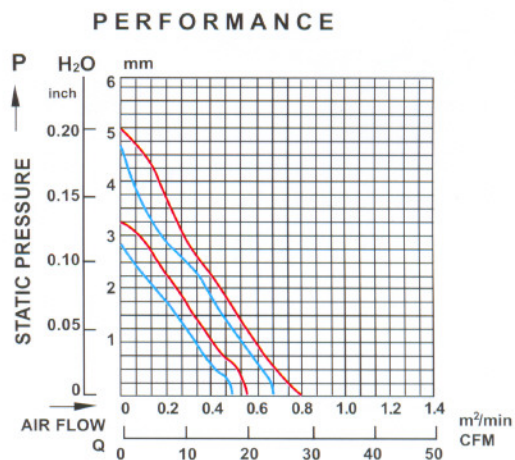
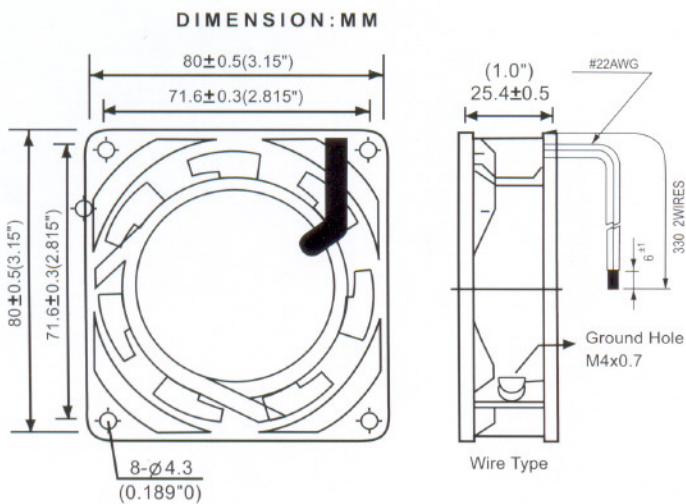


92025

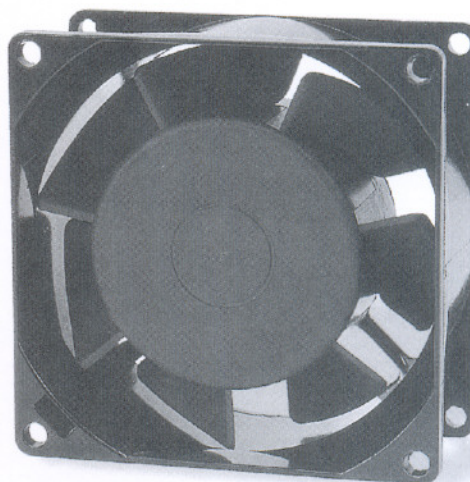
Model	Part No. Terminal Leadwire	Bearing System	Rated Voltage	Freq	Current	Input Power	Speed	Air Flow	Static Pressure	Noise Level	Weight
(型號)	(端子/出線)	(培林)	(V)	(Hz)	(A)	(W)	(rpm)	(CFM)	(mm-H ₂ O)	(dB-A)	(g)
SJ9225HA1	9225HA1SAT(L) 9225HA1BAT(L)	Sleeve Ball	110/120	50/60	0.20/0.21	19/17	1700/2200	30/36	0.16/0.20	35/37	230
SJ9225HA2	9225HA2SAT(L) 9225HA2BAT(L)	Sleeve Ball	220/240	50/60	0.09/0.10	19/17	1700/2200	30/36	0.16/0.20	35/37	230
SJ92025HA1	92025HA1SAT(L) 92025HA1BAT(L)	Sleeve Ball	110/120	50/60	0.12/0.14	10/15	2300/2800	40/48	0.18/0.22	35/37	230
SJ92025HA2	92025HA2SAT(L) 92025HA2BAT(L)	Sleeve Ball	220/240	50/60	0.05/0.09	10/15	2300/2800	40/48	0.18/0.22	35/37	230

Specifications subject to change without notice.
以上參考數據,如有變更恕不另行通知。

80x80x25mm



80025



8025

Model	Part No. Terminal Leadwire	Bearing System	Rated Voltage	Freq	Current	Input Power	Speed	Air Flow	Static Pressure	Noise Level	Weight
(型號)	(端子/出線)	(培林)	(V) (電壓)	(Hz) (頻率)	(A) (電流)	(W) (功率)	(rpm) (轉速)	(CFM) (風量)	(mm-H ₂ O) (靜壓)	(dB-A) (噪聲值)	(g) (重量)
SJ8025HA1	8025HA1SAL 8025HA1BAL	Sleeve Ball	110/120	50/60	0.17/0.19	13/14	1700/2200	21/23	0.18/0.21	29/33	200
SJ8025HA2	8025HA2SAL 8025HA2BAL	Sleeve Ball	220/240	50/60	0.10/0.12	13/14	1700/2200	21/23	0.18/0.21	29/33	200
SJ80025HA1	80025HA1SAL 80025HA1BAL	Sleeve Ball	110/120	50/60	0.12/0.14	10/15	2300/2800	26/33	0.18/0.21	29/33	200
SJ80025HA2	80025HA2SAL 80025HA2BAL	Sleeve Ball	220/240	50/60	0.05/0.09	10/15	2300/2800	26/33	0.18/0.21	29/33	200

Specifications subject to change without notice.
以上參考數據,如有變更恕不另行通知。