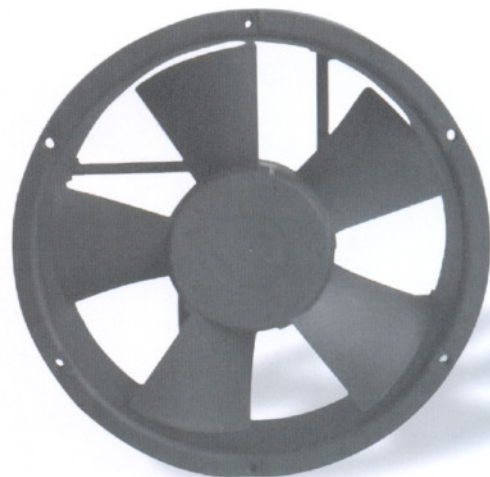
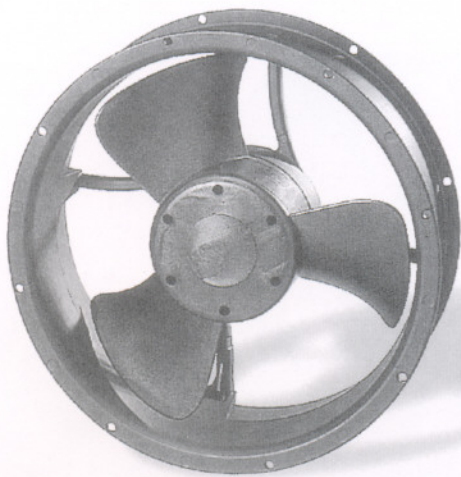
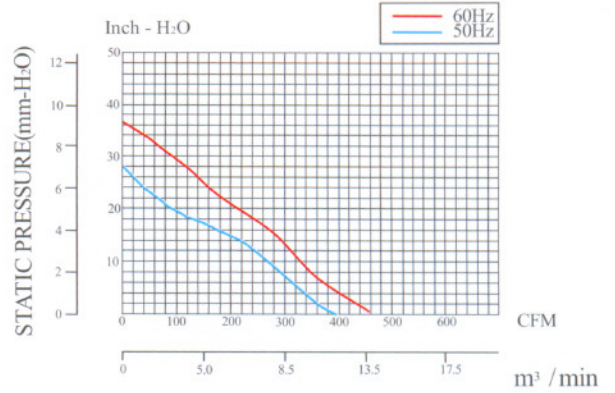
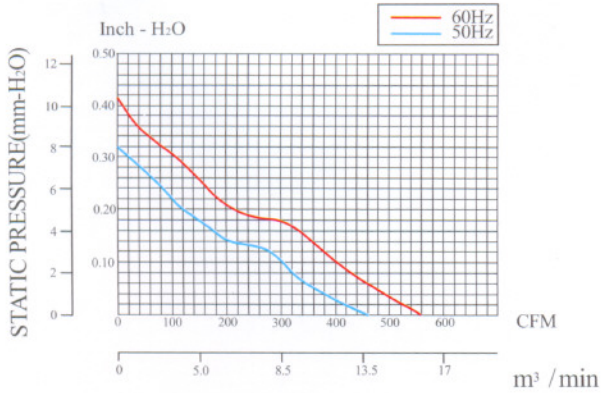
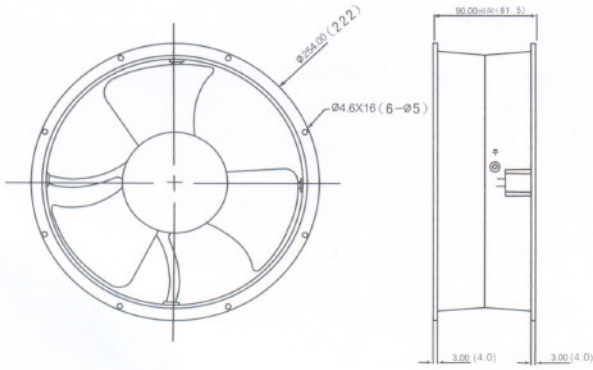




Suntronix®

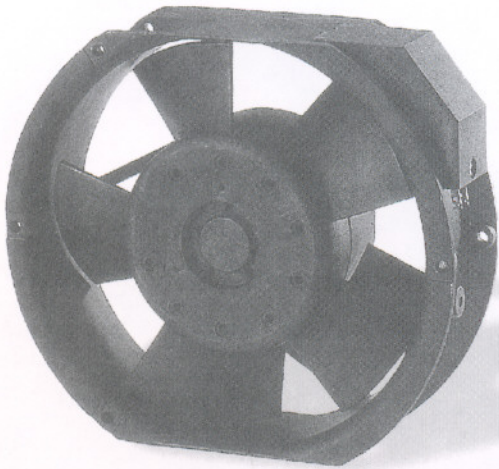
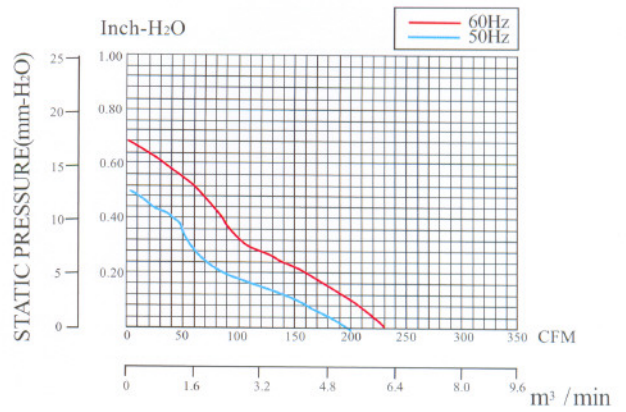
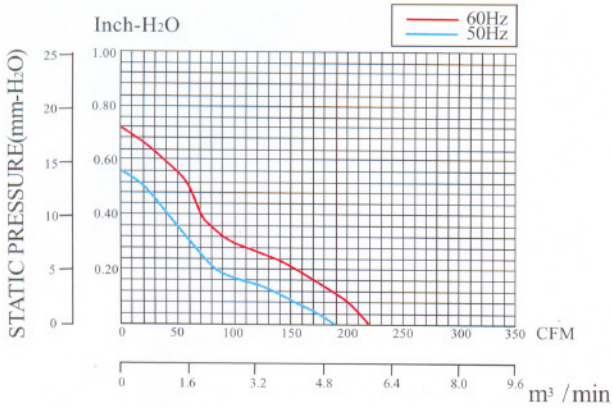
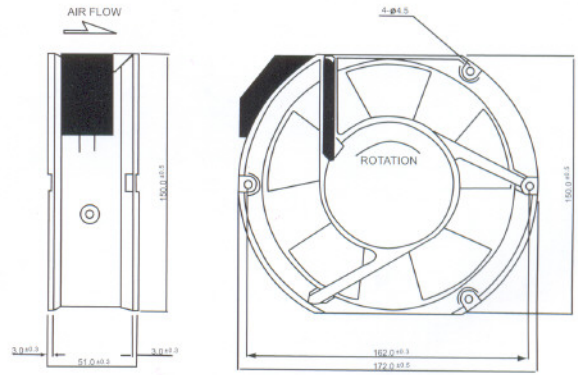
Ø 250x89mm



Model	Part No. Terminal Leadwire	Bearing System	Rated Voltage	Freq	Current	Input Power	Speed	Air Flow	Static Pressure	Noise Level	Weight
(型號)	(端子/出線)	(培林)	(V) (電壓)	(Hz) (頻率)	(A) (電流)	(W) (功率)	(rpm) (轉速)	(CFM) (風量)	(mm-H <sub>2</sub> O) (靜壓)	(dB-A) (噪聲值)	(g) (重量)
SJ2509HA1	2509HA1BAT(L)	Ball	110/120	50/60	0.36/0.45	38/45	1450/1850	510/600	0.21/0.24	48/56	1780
SJ2509HA2	2509HA2BAT(L)	Ball	220/240	50/60	0.18/0.22	38/45	1450/1850	510/600	0.21/0.24	48/56	1780
SJ2206HA1	2206HA1BAT(L)	Ball	110/120	50/60	0.35/0.42	37/49	2800/3200	400/450	0.28/0.36	61/66	1430
SJ2206HA2	2206HA2BAT(L)	Ball	220/240	50/60	0.17/0.22	38/51	2800/3200	400/450	0.28/0.36	61/66	1430

Specifications subject to change without notice.  
 以上參考數據,如有變更恕不另行通知。

172x150x51mm



Model	Part No. Terminal Leadwire	Bearing System	Rated Voltage	Freq	Current	Input Power	Speed	Air Flow	Static Pressure	Noise Level	Weight
(型號)	(端子/出線)	(培林)	(V) (電壓)	(Hz) (頻率)	(A) (電流)	(W) (功率)	(rpm) (轉速)	(CFM) (風量)	(mm-H <sub>2</sub> O) (靜壓)	(dB-A) (噪聲值)	(g) (重量)
SJ1725HA1	1725HA1BAT(L)	Ball	110/120	50/60	0.47/0.51	38/47	2700/3100	190/210	0.55/0.72	53/59	920
SJ1725HA2	1725HA2BAT(L)	Ball	220/240	50/60	0.28/0.40	44/53	2700/3100	190/210	0.55/0.72	53/59	920
SJ1751HA1	1751HA1BAT(L)	Ball	110/120	50/60	0.20/0.25	22/30	2850/3400	210/240	0.51/0.68	50/57	920
SJ1751HA2	1751HA2BAT(L)	Ball	220/240	50/60	0.10/0.13	22/30	2850/3400	210/240	0.51/0.68	50/57	920

Specifications subject to change without notice.  
以上參考數據,如有變更恕不另行通知。