



ENAPART



93 S Railroad Avenue Unit C
Bergenfield NJ 07621 USA
www.enapart.com
sales@enapart.com



Via del Canneto 35,
Borgosatollo, Brescia - Italia
www.enapart.it
vendite@enapart.it



Barbaros Mah. Ihlamur Bul. Aĝaoĝlu
My Newwork No:3/15 Ataşehir / İstanbul
www.enapart.net
satis@enapart.net



PRIVADA 10 B SUR #3908 COL.
ANZUREZ, C.P. 72530, PUEBLA, PUE
www.enapart.com.mx
sales@enapart.com.mx



Friedrich-Ebert-Anlage 36, 60325
Frankfurt am Main, Germany
www.enapart.de
anfrage@enapart.de



4 boulevard Carnot, 95400
villiers-le-bel, Paris, France
www.enapart.fr
sales@enapart.fr



65049, ОДЕСА, ВУЛИЦЯ ІВАНА
ФРАНКА, БУДИНОК 55, ПОВЕРХ 3
www.enapart.com.ua
sales@enapart.com.ua



MUNICIPIUL BUCUREȘTI, SECTOR 3,
B-DUL BASARABIA, NR.250, CORP P+5
www.enapart.ro
sales@enapart.ro



〒584-0023 大阪府富田林市若松町
東2丁目2番16号
www.enapart.co.jp
sales@enapart.co.jp



PLAZA NUESTRA SEÑORA DE LAS
NIEVES 12 ,LOCAL ,50012,ZARAGOZA
www.enapart.es
ventas@enapart.es



Складова база „Онгъл“, Склад А2, п.к.
4006, гр. Пловдив, България
www.enapart.bg
sales@enapart.bg



3 Austin Mews, High Street, Hemel
Hempstead, HP1 3AF , United Kingdom
www.enapart.co.uk
sales@enapart.co.uk

TERMINAL BOX TYPE MOTORS

INDEX

CHARACTERISTICS OF TERMINAL BOX TYPE INDUCTION, REVERSIBLE MOTOR	79
TERMINAL BOX TYPE INDUCTION, REVERSIBLE MOTOR 6W(□60mm)	80/96
TERMINAL BOX TYPE INDUCTION, REVERSIBLE MOTOR 15W(□70mm)	82/98
TERMINAL BOX TYPE INDUCTION, REVERSIBLE MOTOR 25W(□80mm)	84/100
TERMINAL BOX TYPE INDUCTION, REVERSIBLE MOTORS 40W(□90mm)	87/103
TERMINAL BOX TYPE INDUCTION, REVERSIBLE MOTOR 60W(□90mm)	90/106
TERMINAL BOX TYPE INDUCTION, REVERSIBLE MOTOR 90W(□90mm)	93/109



CHARACTERISTICS OF TERMINAL BOX TYPE INDUCTION, REVERSIBLE MOTORS



1. Characteristics of Terminal Box Type Motors

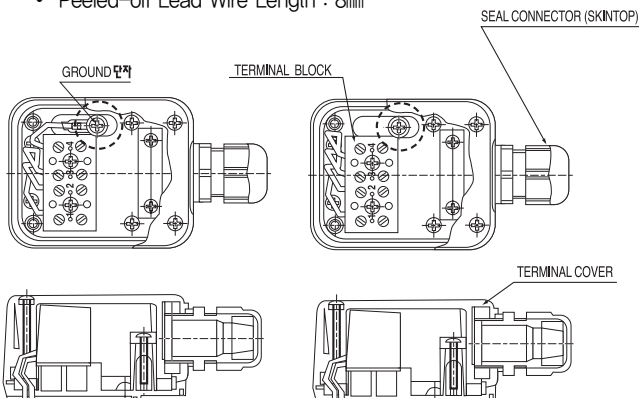
- The motor's charging section including leadwire is made airtight by the terminal box to provide the protection from dust and moisture.
- Therefore, the motor can be used in harsh environment.
- And the motor is made completely airtight with a gasket.
- The classification of the device protection structure for the skintop terminal box type motor is IP54.
- SPG has two terminal box types: Skintop terminal box type and cord bush terminal box type
- The motor features a compact design.
- The ground terminal is attached to the motor. However, the cord bush terminal box type of the single-phase induction motor does not have a built-in ground inside the terminal box. Before use, install the ground at the outside of the motor.
- Since the motor is structured to make piping work easier, it is excellent in connection work. The cable is firmly fixed to provide strong tension when wiring the cable. When using a cap tire cable, it is recommended to use a cable having an outside diameter of $\varnothing 6 \sim \varnothing 12$.
- The terminal box cover is made of PC resin which is excellent in insulation and stiffness.
- The terminal block uses a VDE certified product that provides high reliability.
- AWG NO. 24~AWG No.10($0.25\text{mm}^2 \sim 4.0\text{mm}^2$) shall be used for the lead wire, and the peeled-off lead wire shall be about 8mm.

2. Diagram of Terminal Box Structure

(1) TERMINAL BLOCK BOX TYPE (T TYPE)

1) $\square 80$ 15W ~ $\square 90$ 90W

- Material of Terminal Box : Aluminum
- Applicable Cable Diameter : $\varnothing 6 \sim \varnothing 12$
- Applicable Lead Wire : AWG 24~12($0.2 \sim 4.0\text{mm}^2$)
- Peeled-off Lead Wire Length : 8mm

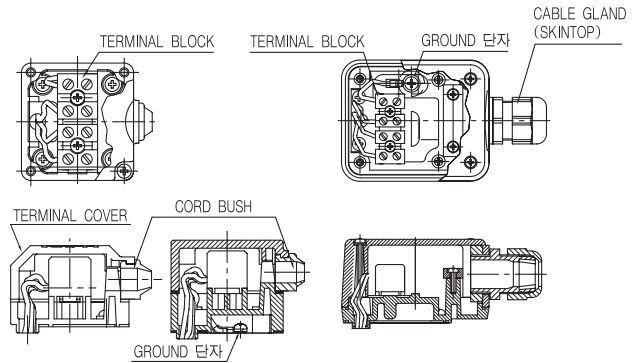


In case of Single-phase Reversible Motor
In case of Three-phase Reversible Motor

In case of Single-phase Induction Motor

2) $\square 60$ 6W ~ $\square 70$ 15W

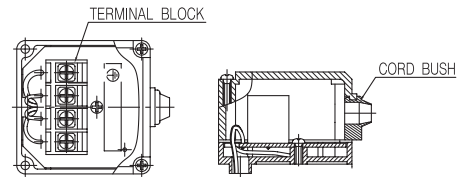
- Material of Terminal Box : Plastic
- Applicable Cable Diameter : $\varnothing 6.8 \sim \varnothing 8.6$



In case of Single-phase Reversible Motor In case of Single-phase Induction Motor

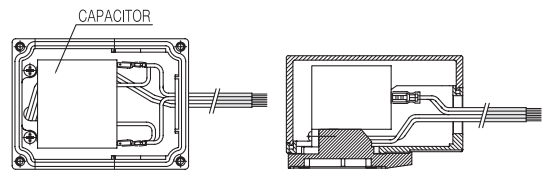
(2) PCB TERMINAL BOX TYPE (T1 TYPE) : $\square 80$ 25W ~ $\square 90$ 90W

- Material of Terminal Box : Plastic
- Applicable Cable Diameter : $\varnothing 6.8 \sim \varnothing 8.6$



In case of Single-phase Reversible Motor In case of Single-phase Induction Motor
In case of Three-phase Induction Motor

(3) CONDUIT BOX TYPE (T2 TYPE) : $\square 80$ 25W ~ $\square 90$ 90W



3. External Structure of Motor

- The reversible motor for CE mark has a cover 'A' assembled to the back side of the motor to improve dust-proof and water-proof. (Refer to the figure in page 65)
- As a result, the motor is 4.0mm longer than induction motor lengthwise, which requires the user's attention.

GENERAL SPECIFICATION OF TERMINAL BOX TYPE MOTORS

ITEM	Specification
Insulation Resistance	100M Ω or more when 500V megger is applied between the windings and the housing after rated motor operation under normal ambient temperature and humidity
Dielectric Strength	Sufficient to withstand 1500V at 50/60Hz applied between the windings and the case after rated motor operation under normal ambient temperature and humidity for 1min.
Temperature Rise	80°C or less increase measured by thermometer after rated operation.
Insulation Class	Class B(130°C)
Overheat Protection Device	Built-in thermal protector (automatic return type) : Open 120°C \pm 5°C Close 76°C \pm 15°C
Ambient Temperature	-10°C ~ 40°C
Ambient Humidity	85% maximum(non condensing)



6W

INDUCTION MOTOR

□ 60mm TERMINAL BOX TYPE



■ MOTOR

Model	Poles	Voltage		Freq.	Duty	Rated Load				Starting Torque		Capacitor	Degree of Protection	Insulation Classification	Protected Type
		Phase	(V)			Current (A)	Speed (r/min)	Torque		(kgf·cm)	(mN·m)				
				(kgf·cm)				(mN·m)							
SG6I06GA-T, T1, T2 SG6I06DA-T, T1, T2 SG6I06SA-T, T1, T2	4	1	100	50	Cont. S1	0.22	1300	0.44	44	0.58	58	3.5 (250V)	IP54	B(130)	Z.P.
				60		0.20	1600	0.36	36	0.58	58				
		1	110	60	0.19	1600	0.36	36	0.50	50	2.5 (250V)				
SG6I06GB-T, T1, T2 SG6I06DB-T, T1, T2 SG6I06SB-T, T1, T2	4	1	200	50	Cont. S1	0.10	1250	0.46	46	0.52	52	0.8 (450V)	IP54	B(130)	Z.P.
				60		0.10	1550	0.37	37	0.52	52				
		1	220	50	0.12	1250	0.46	46	0.45	45	0.6 (450V)				
				60	0.09	1550	0.37	37	0.45	45					
		1	230	50	0.12	1250	0.46	46	0.52	52					
				60	0.09	1600	0.36	36	0.52	52					

❖ All the model of SG series received UL, TÜV, CCC certificate.

❖ output 6W product is Impedance Protected, 15~90W product is Thermally Protected type.

❖ Depend on the voltage, the capacitors are divided into two model. Please inquire separately when operational voltage is AC 100V or 200V.

■ GEARED MOTOR – 50Hz

Model	Ratio	5	6	7.5	9	10	12.5	15	18	20	25	30	36	40	50	60	75	90	100	120	150	180	200	250	300	360
	r/min	300	250	200	167	150	120	100	83.3	75.0	60.0	50.0	41.6	37.5	30.0	25.0	20.0	16.6	15.0	12.5	10.0	8.3	7.5	6.0	5.0	4.1
SG6KA□	kgf·cm	2.10	2.50	3.11	3.73	4.14	5.20	6.21	7.50	8.30	10.4	11.9	14.2	15.8	19.8	23.7	29.7	35.6	39.6	47.5	55.9	60.0	60.0	60.0	60.0	60.0
SG6DA□	N·m	0.21	0.25	0.31	0.37	0.41	0.52	0.62	0.75	0.83	1.04	1.19	1.42	1.58	1.98	2.37	2.97	3.56	3.96	4.75	5.59	6.00	6.00	6.00	6.00	6.00
SG6SA□	N·m	0.21	0.25	0.31	0.37	0.41	0.52	0.62	0.75	0.83	1.04	1.19	1.42	1.58	1.98	2.37	2.97	3.56	3.96	4.75	5.59	6.00	6.00	6.00	6.00	6.00

■ GEARED MOTOR – 60Hz

Model	Ratio	5	6	7.5	9	10	12.5	15	18	20	25	30	36	40	50	60	75	90	100	120	150	180	200	250	300	360
	r/min	360	300	240	200	180	144	120	100	90.0	72.0	60.0	50.0	45.0	36.0	30.0	24.0	20.0	18.0	15.0	12.0	10.0	9.0	7.2	6.0	5.0
SG6KA□	kgf·cm	1.71	2.10	2.60	3.10	3.42	4.30	5.13	6.20	6.84	8.60	9.80	11.8	13.1	16.3	19.6	24.5	29.4	32.7	39.2	46.2	55.4	60.0	60.0	60.0	60.0
SG6DA□	N·m	0.17	0.21	0.26	0.31	0.34	0.43	0.51	0.62	0.68	0.86	0.98	1.18	1.31	1.63	1.96	2.45	2.94	3.27	3.92	4.62	5.54	6.00	6.00	6.00	6.00
SG6SA□	N·m	0.17	0.21	0.26	0.31	0.34	0.43	0.51	0.62	0.68	0.86	0.98	1.18	1.31	1.63	1.96	2.45	2.94	3.27	3.92	4.62	5.54	6.00	6.00	6.00	6.00

❖ Among GEAR HEAD model names, □ is reduction gear ratio.

❖ Value of the chart is allowable torque of reduction gear of GEARED MOTOR.

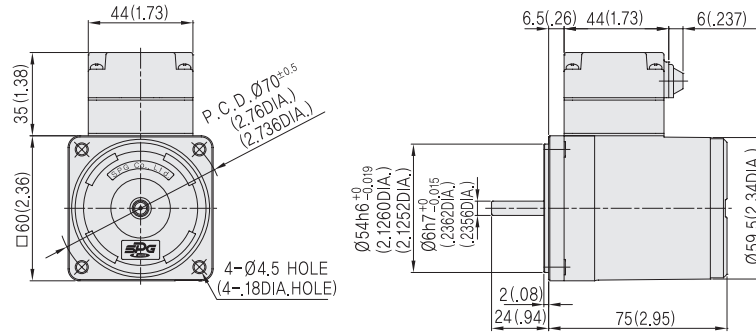
❖ Regarding direction of rotation, in case of □, its reduction gear ratio has same direction with MOTOR's and in case of □, its reduction gear ratio has the opposite direction of MOTOR's.

❖ rotation speed is calculated with synchronous rotation number of MOTOR(50Hz : 1500 r/min, 60Hz : 1800 r/min).

Actual rotation speed can be less than (2~20%) depend on the size of the load 2~20%.

MOTOR

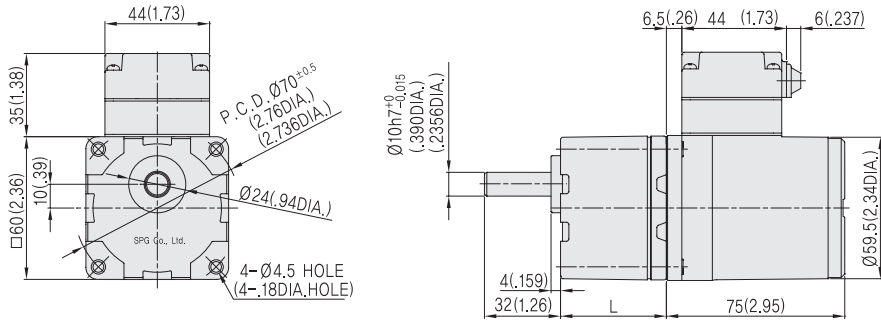
Unit : mm(inch)



MOTOR OUTPUT SHAFT	GEAR TYPE	D-CUT TYPE	STRAIGHT TYPE
	SG6I06G□-T	SG6I06D□-T	SG6I06S□-T

GEARED MOTOR

Unit : mm(inch)



GEAR HEAD OUTPUT SHAFT	KEY TYPE	D-CUT TYPE	STRAIGHT TYPE
	SG6KA□	SG6DA□	SG6SA□

MODEL		GEAR RATIO	L	WEIGHT(kg)
GEAR HEAD	SG6□A□	5~25	34	0.28
		30~120	38	0.33
		150~360	43	0.37
MOTOR	SG6I06□□-T			0.76



15W

INDUCTION MOTOR

□ 70mm TERMINAL BOX TYPE



■ MOTOR

Model	Poles	Voltage		Freq. (Hz)	Duty	Rated Load				Starting Torque		Capacitor (μ F)	Degree of Protection	Insulation Classification	Protected Type
		Phase	(V)			Current (A)	Speed (r/min)	Torque		(kgf·cm)	(mN·m)				
				(kgf·cm)				(mN·m)							
SG715GA-T, T1, T2 SG715DA-T, T1, T2 SG715SA-T, T1, T2	4	1	100	50	Cont. S1	0.37	1250	1.10	110	0.80	80	5.5 (250V)	IP54	B(130)	T.P.
				60		0.32	1550	0.90	90	0.80	80				
		1	110	60	0.32	1600	0.90	90	0.70	70	4.5 (250V)				
				60	0.32	1600	0.90	90	0.80	80					
SG715GB-T, T1, T2 SG715DB-T, T1, T2 SG715SB-T, T1, T2	4	1	200	50	Cont. S1	0.18	1200	1.20	120	1.00	100	1.5 (450V)	IP54	B(130)	T.P.
				60		0.19	1550	0.90	90	1.00	100				
		1	220	50	0.18	1250	1.10	110	0.70	70	1.0 (450V)				
				60	0.15	1550	0.90	90	0.70	70					
		1	230	50	0.18	1250	1.10	110	0.80	80					
				60	0.15	1550	0.90	90	0.80	80					

- ❖ All the model of SG series received UL, TÜV, CCC certificate.
- ❖ output 6W product is Impedance Protected, 15~90W product is Thermally Protected type.
- ❖ Depend on the voltage, the capacitors are divided into two model. Please inquire separately when operational voltage is AC 100V or 200V.

■ GEARED MOTOR – 50Hz

Model	Ratio	50 Hz																											
		5	6	7.5	9	10	12.5	15	18	20	25	30	36	40	50	60	75	90	100	120	150	180	200	250	300	360			
	r/min	300	250	200	167	150	120	100	83.3	75.0	60.0	50.0	41.6	37.5	30.0	25.0	20.0	16.6	15.0	12.5	10.0	8.3	7.5	6.0	5.0	4.1			
SG7KA□	kgf·cm	5.20	6.21	7.80	9.32	10.4	12.9	15.5	18.6	20.7	25.9	29.7	35.6	39.6	49.5	59.3	74.2	89.0	98.9	100	100	100	100	100	100	100			
SG7DA□	N·m	0.52	0.62	0.78	0.93	1.04	1.29	1.55	1.86	2.07	2.59	2.97	3.56	3.96	4.95	5.93	7.42	8.90	9.89	10.0	10.0	10.0	10.0	10.0	10.0	10.0			
SG7SA□	N·m	0.52	0.62	0.78	0.93	1.04	1.29	1.55	1.86	2.07	2.59	2.97	3.56	3.96	4.95	5.93	7.42	8.90	9.89	10.0	10.0	10.0	10.0	10.0	10.0	10.0			

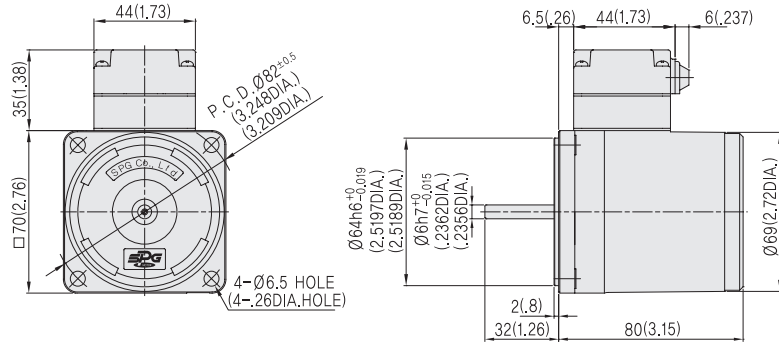
■ GEARED MOTOR – 60Hz

Model	Ratio	60 Hz																											
		5	6	7.5	9	10	12.5	15	18	20	25	30	36	40	50	60	75	90	100	120	150	180	200	250	300	360			
	r/min	360	300	240	200	180	144	120	100	90.0	72.0	60.0	50.0	45.0	36.0	30.0	24.0	20.0	18.0	15.0	12.0	10.0	9.0	7.2	6.0	5.0			
SG7KA□	kgf·cm	4.20	5.02	6.30	7.53	8.40	10.5	12.6	15.1	16.7	20.9	24.0	28.8	32.0	40.0	48.0	60.0	72.0	80.0	96.0	100	100	100	100	100	100			
SG7DA□	N·m	0.42	0.50	0.63	0.75	0.84	1.05	1.26	1.51	1.67	2.09	2.40	2.88	3.20	4.00	4.80	6.00	7.20	8.00	9.60	10.0	10.0	10.0	10.0	10.0	10.0			
SG7SA□	N·m	0.42	0.50	0.63	0.75	0.84	1.05	1.26	1.51	1.67	2.09	2.40	2.88	3.20	4.00	4.80	6.00	7.20	8.00	9.60	10.0	10.0	10.0	10.0	10.0	10.0			

- ❖ Among GEAR HEAD model names, □ is reduction gear ratio.
- ❖ Value of the chart is allowable torque of reduction gear of GEARED MOTOR.
- ❖ Regarding direction of rotation, in case of □, its reduction gear ratio has same direction with MOTOR's and in case of □, its reduction gear ratio has the opposite direction of MOTOR's.
- ❖ rotation speed is calculated with synchronous rotation number of MOTOR(50Hz : 1500 r/min, 60Hz : 1800 r/min).
Actual rotation speed can be less than (2~20%) depend on the size of the load 2~20%.

MOTOR

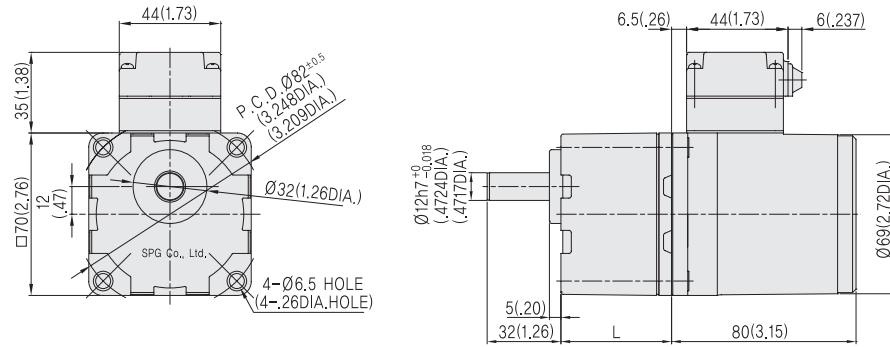
Unit : mm(inch)



MOTOR OUTPUT SHAFT	GEAR TYPE	D-CUT TYPE	STRAIGHT TYPE
	SG7I15G□-T	SG7I15D□-T	SG7I15S□-T

GEARED MOTOR

Unit : mm(inch)



GEAR HEAD OUTPUT SHAFT	KEY TYPE	D-CUT TYPE	STRAIGHT TYPE
	SG7KA□	SG7DA□	SG7SA□

MODEL		GEAR RATIO	L	WEIGHT(kg)
GEAR HEAD	SG7□A□	5~120	43	0.42
		150~360	48	0.52
MOTOR	SG7I15□□-T			1.10



25W

INDUCTION MOTOR

□ 80mm TERMINAL BOX TYPE



■ MOTOR

Model	Poles	Voltage		Freq. (Hz)	Duty	Rated Load				Starting Torque		Capacitor (μ F)	Degree of Protection	Insulation Classification	Protected Type					
		Phase	(V)			Current (A)	Speed (r/min)	Torque		(kgf·cm)	(mN·m)									
								(kgf·cm)	(mN·m)											
SG8125GA-T, T1, T2 SG8125KA-T, T1, T2 SG8125DA-T, T1, T2 SG8125SA-T, T1, T2	4	1	100	50	Cont. S1	0.49	1250	1.90	0.19	1.80	0.18	8.0 (250V)	IP54	B(130)	T.P.					
				60		0.47	1550	1.50	0.15	1.70	0.17									
		1	110	60	0.45	1600	1.50	0.15	1.60	0.16	6.5 (250V)									
				60	0.45	1600	1.50	0.15	2.00	0.20										
SG8125GB-T, T1, T2 SG8125KB-T, T1, T2 SG8125DB-T, T1, T2 SG8125SB-T, T1, T2	4	1	200	50	Cont. S1	0.24	1200	2.00	0.20	1.40	0.14	1.8 (450V)	IP54	B(130)	T.P.					
				60		0.24	1500	1.60	0.16	1.40	0.14									
		1	220	50	0.23	1250	1.90	0.19	1.60	0.16	1.5 (450V)									
				60	0.21	1550	1.50	0.15	1.60	0.16										
		1	230	50	0.23	1300	1.90	0.19	1.70	0.17										
				60	0.21	1600	1.50	0.15	1.80	0.18										
		SG8125GT-T, T1, T2 SG8125KT-T, T1, T2 SG8125DT-T, T1, T2 SG8125ST-T, T1, T2	4	3	200	50	Cont. S1	0.23	1300	1.80	0.18	6.90				0.69	-	IP54	B(130)	T.P.
						60		0.20	1600	1.50	0.15	5.60				0.56				
3	220			50	0.26	1350	1.80	0.18	8.50	0.85										
				60	0.21	1600	1.50	0.15	6.70	0.67										
3	230			50	0.27	1350	1.80	0.18	9.20	0.92										
				60	0.22	1600	1.50	0.15	7.30	0.73										
SG8125GS-T, T1, T2 SG8125KS-T, T1, T2 SG8125DS-T, T1, T2 SG8125SS-T, T1, T2	4	3	380	50	Cont. S1	0.12	1300	1.80	0.18	6.50	0.65	-	IP54	B(130)	T.P.					
				60		0.11	1550	1.50	0.15	5.20	0.52									
		3	400	50	0.13	1300	1.80	0.18	7.20	0.72										
				60	0.11	1600	1.50	0.15	5.70	0.57										
		3	415	70	0.13	1350	1.80	0.18	7.70	0.77										
				80	0.11	1600	1.50	0.15	6.10	0.61										
		3	440	50	0.15	1350	1.80	0.18	8.60	0.86										
				60	0.12	1600	1.50	0.15	6.80	0.68										

- ❖ All the model of SG series received UL, TÜV, CCC certificate.
- ❖ output 6W product is Impedance Protected, 15~90W product is Thermally Protected type.
- ❖ Depend on the voltage, the capacitors are divided into two model. Please inquire separately when operational voltage is AC 100V or 200V.

■ GEARED MOTOR – 50Hz

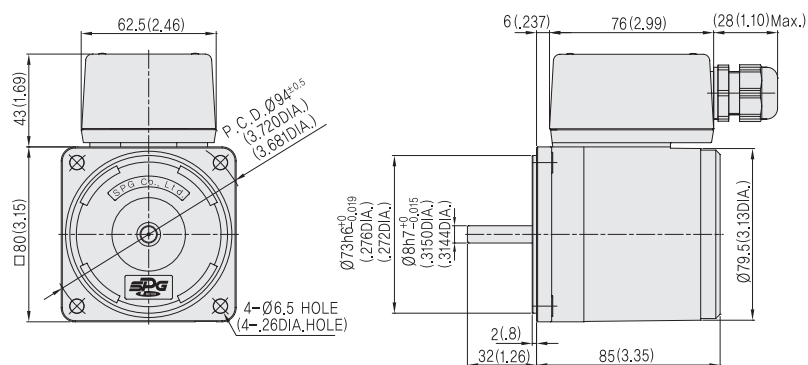
Model	Ratio	5	6	7.5	9	10	12.5	15	18	20	25	30	36	40	50	60	75	90	100	120	150	180	200	250	300	360
	r/min	300	250	200	167	150	120	100	83.3	75.0	60.0	50.0	41.6	37.5	30.0	25.0	20.0	16.6	15.0	12.5	10.0	8.3	7.5	6.0	5.0	4.1
SG8KA□	kgf·cm	8.90	10.7	13.4	16.0	17.8	22.3	26.7	32.1	35.6	44.6	51.1	61.3	68.1	85.1	102	128	153	160	160	160	160	160	160	160	160
SG8DA□	N·m	0.89	1.07	1.34	1.60	1.78	2.23	2.67	3.21	3.56	4.46	5.11	6.13	6.81	8.51	10.2	12.8	15.3	16.0	16.0	16.0	16.0	16.0	16.0	16.0	16.0
SG8SA□	N·m	0.89	1.07	1.34	1.60	1.78	2.23	2.67	3.21	3.56	4.46	5.11	6.13	6.81	8.51	10.2	12.8	15.3	16.0	16.0	16.0	16.0	16.0	16.0	16.0	16.0

■ GEARED MOTOR – 60Hz

Model	Ratio	5	6	7.5	9	10	12.5	15	18	20	25	30	36	40	50	60	75	90	100	120	150	180	200	250	300	360
	r/min	360	300	240	200	180	144	120	100	90.0	72.0	60.0	50.0	45.0	36.0	30.0	24.0	20.0	18.0	15.0	12.0	10.0	9.0	7.2	6.0	5.0
SG8KA□	kgf·cm	7.30	8.80	10.9	13.1	14.6	18.2	21.9	26.2	29.2	36.5	41.8	50.2	55.7	69.7	83.6	105	125	139	160	160	160	160	160	160	160
SG8DA□	N·m	0.73	0.88	1.09	1.31	1.46	1.82	2.19	2.62	2.92	3.65	4.18	5.02	5.57	6.97	8.36	10.5	12.5	13.9	16.0	16.0	16.0	16.0	16.0	16.0	16.0
SG8SA□	N·m	0.73	0.88	1.09	1.31	1.46	1.82	2.19	2.62	2.92	3.65	4.18	5.02	5.57	6.97	8.36	10.5	12.5	13.9	16.0	16.0	16.0	16.0	16.0	16.0	16.0

- ❖ Among GEAR HEAD model names, □ is reduction gear ratio.
- ❖ Value of the chart is allowable torque of reduction gear of GEARED MOTOR.
- ❖ Regarding direction of rotation, in case of ■, its reduction gear ratio has same direction with MOTOR's and in case of □, its reduction gear ratio has the opposite direction of MOTOR's.
- ❖ rotation speed is calculated with synchronous rotation number of MOTOR(50Hz : 1500 r/min, 60Hz : 1800 r/min). Actual rotation speed can be less than (2~20%) depend on the size of the load 2~20%.

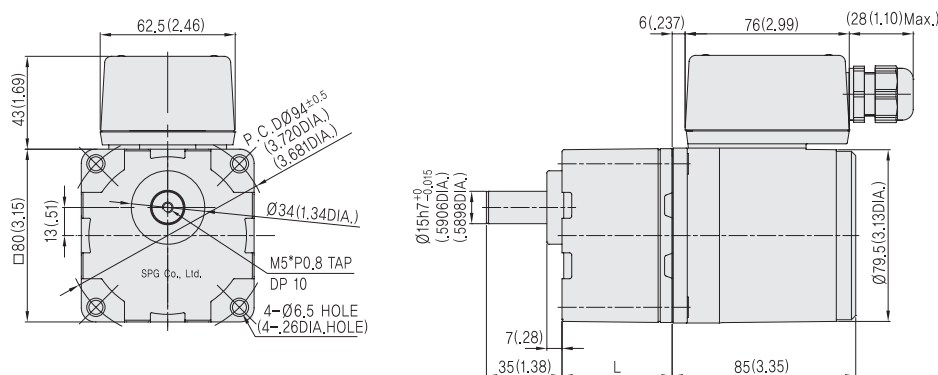
MOTOR



Unit : mm(inch)

MOTOR OUTPUT SHAFT	GEAR TYPE	KEY TYPE	D-CUT TYPE	STRAIGHT TYPE
	SG8I25G□-T	SG8I25K□-T	SG8I25D□-T	SG8I25S□-T

GEARED MOTOR



Unit : mm(inch)

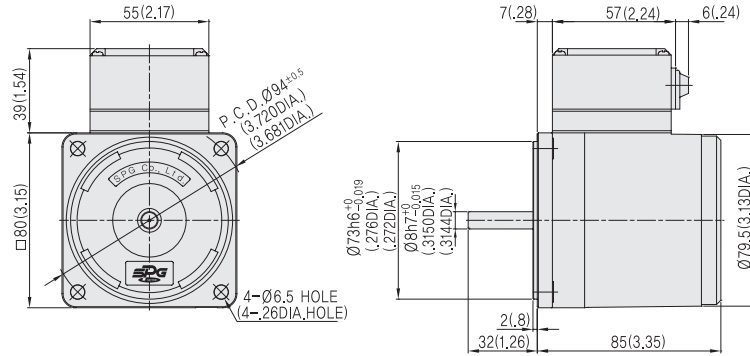
GEAR HEAD OUTPUT SHAFT	KEY TYPE	D-CUT TYPE	STRAIGHT TYPE
	SG8K□	SG8D□	SG8S□

MODEL		GEAR RATIO	L	WEIGHT(kg)
GEAR HEAD	SG8□A□	5~25	41	0.61
		30~120	46	0.72
		150~360	51	0.80
MOTOR	SG8I25□□-T			1.60
	SG8I25□□-T1			1.55
	SG8I25□□-T2			1.75

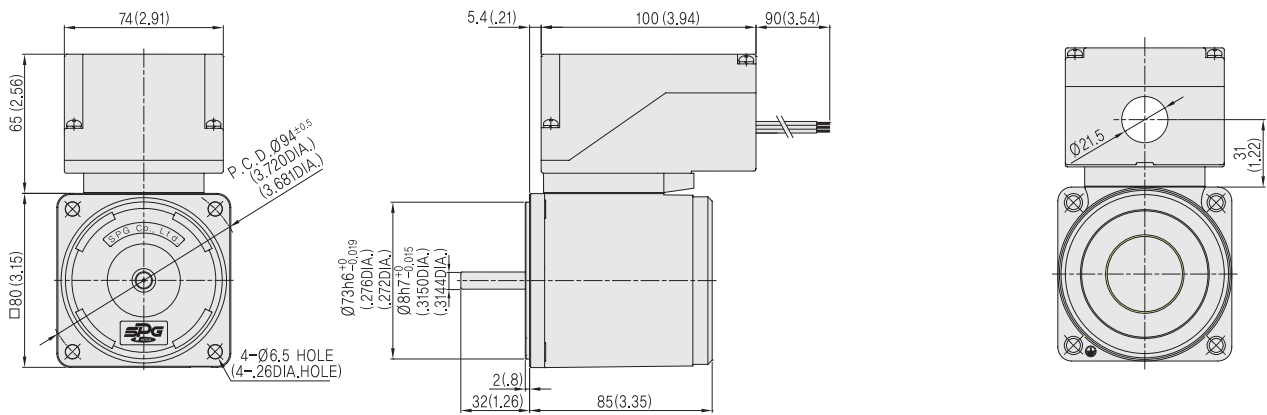
MOTOR

► T1

Unit : mm(inch)



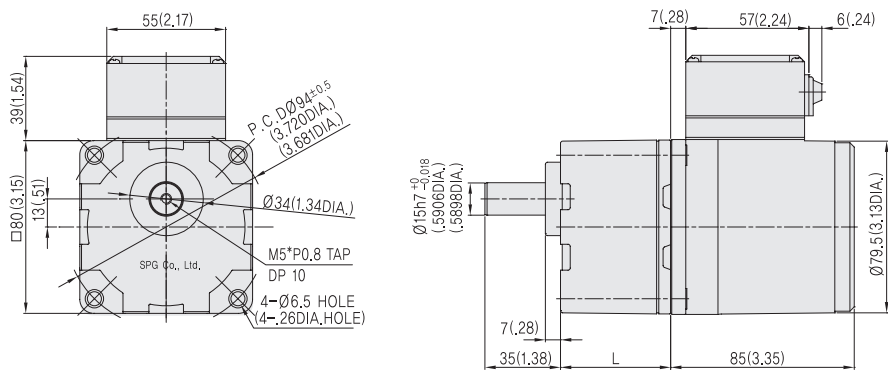
► T2



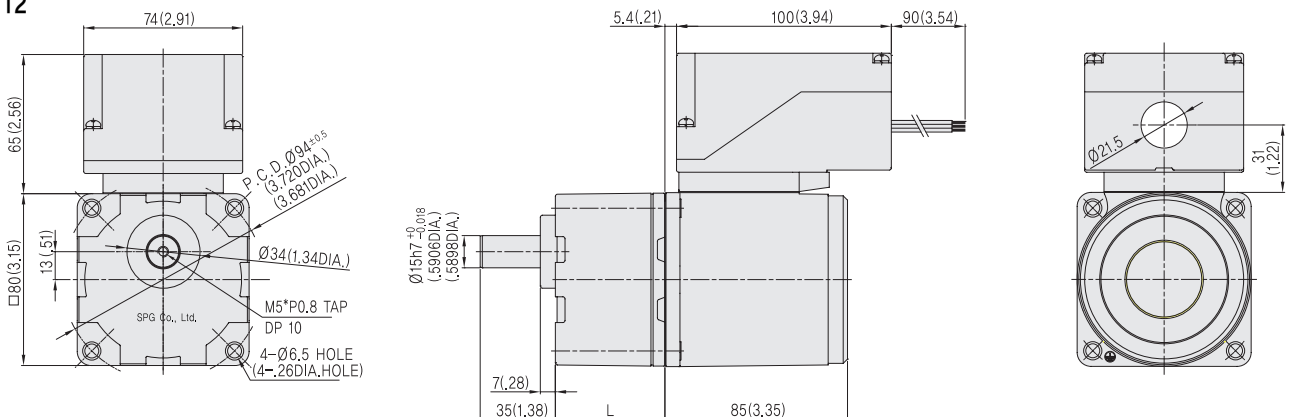
GEARED MOTOR

► T1

Unit : mm(inch)



► T2





40W

INDUCTION MOTOR

□ 90mm TERMINAL BOX TYPE



■ MOTOR

Model	Poles	Voltage		Freq. (Hz)	Duty	Rated Load				Starting Torque		Capacitor (μ F)	Degree of Protection	Insulation Classification	Protected Type							
		Phase	(V)			Current (A)	Speed (r/min)	Torque		(kgf·cm)	(mN·m)											
								(kgf·cm)	(mN·m)													
SG9140GA-T, T1, T2 SG9140KA-T, T1, T2 SG9140DA-T, T1, T2 SG9140SA-T, T1, T2	4	1	100	50	Cont. S1	0.70	1250	3.00	0.30	2.20	0.22	11.0 (250V)	IP54	B(130)	T.P.							
			60	0.71		1550	2.40	0.24	2.30	0.23												
		1	110	60		0.63	1600	2.40	0.24	2.10	0.21	9.0 (250V)										
			115	60		0.61	1600	2.30	0.23	2.60	0.26											
SG9140GB-T, T1, T2 SG9140KB-T, T1, T2 SG9140DB-T, T1, T2 SG9140SB-T, T1, T2	4	1	200	50	Cont. S1	0.34	1300	2.90	0.29	2.70	0.27	3.0 (450V)	IP54	B(130)	T.P.							
			60	0.38		1600	2.40	0.24	2.90	0.29												
		1	220	50		0.35	1300	2.90	0.29	2.40	0.24	2.3 (450V)										
			60	0.3		1600	2.40	0.24	2.40	0.24												
		1	230	50		0.35	1300	2.90	0.29	2.40	0.24											
				60		0.3	1600	2.40	0.24	2.80	0.28											
		SG9140GT-T, T1, T2 SG9140KT-T, T1, T2 SG9140DT-T, T1, T2 SG9140ST-T, T1, T2	4	3		200	50	Cont. S1	0.27	1300	2.90					0.29	10.2	1.02	-	IP54	B(130)	T.P.
						60	0.24		1550	2.40	0.24					7.70	0.77					
3	220			50	0.27	1350	2.80		0.28	11.9	1.19											
	60			0.24	1600	2.40	0.24		9.40	0.94												
3	230			50	0.28	1350	2.80		0.28	13.1	1.31											
				60	0.24	1600	2.30		0.23	10.5	1.05											
SG9140GS-T, T1, T2 SG9140KS-T, T1, T2 SG9140DS-T, T1, T2 SG9140SS-T, T1, T2	4			3	380	50	Cont. S1		0.17	1350	2.80	0.28	12.3	1.23	-	IP54	B(130)	T.P.				
					60	0.15			1600	2.40	0.24	9.30	0.93									
		3	400	50	0.18	1350		2.80	0.28	13.4	1.34											
			60	0.16	1600	2.40		0.24	10.3	1.03												
		3	415	70	0.18	1350		2.80	0.28	14.5	1.45											
				80	0.16	1600		2.30	0.23	11.0	1.10											
		3	440	50	0.2	1350		2.80	0.28	16.2	1.62											
				60	0.16	1650		2.30	0.23	12.3	1.23											

- ❖ All the model of SG series received UL, TÜV, CCC certificate.
- ❖ output 6W product is Impedance Protected, 15~90W product is Thermally Protected type.
- ❖ Depend on the voltage, the capacitors are divided into two model. Please inquire separately when operational voltage is AC 100V or 200V.

■ GEARED MOTOR – 50Hz

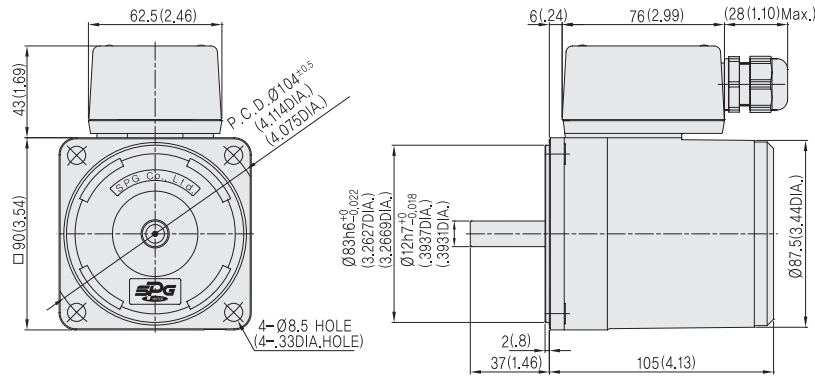
Model	Ratio	5	6	7.5	9	10	12.5	15	18	20	25	30	36	40	50	60	75	90	100	120	150	180	200	250	300
	r/min	300	250	200	167	150	120	100	83.3	75.0	60.0	50.0	41.6	37.5	30.0	25.0	20.0	16.6	15.0	12.5	10.0	8.3	7.5	6.0	5.0
SG9KB□	kgf·cm	13.4	16.1	20.1	24.1	26.8	33.5	40.2	48.3	51.3	64.1	76.9	92.3	103	128	154	192	231	256	290	300	300	300	300	300
SG9DB□ SG9SB□	N·m	1.34	1.61	2.01	2.41	2.68	3.35	4.02	4.83	5.13	6.41	7.69	9.23	10.3	12.8	15.4	19.2	23.1	25.6	29.0	30.0	30.0	30.0	30.0	30.0

■ GEARED MOTOR – 60Hz

Model	Ratio	5	6	7.5	9	10	12.5	15	18	20	25	30	36	40	50	60	75	90	100	120	150	180	200	250	300
	r/min	360	300	240	200	180	144	120	100	90.0	72.0	60.0	50.0	45.0	36.0	30.0	24.0	20.0	18.0	15.0	12.0	10.0	9.0	7.2	6.0
SG9KB□	kgf·cm	10.9	13.1	16.3	19.6	21.8	27.2	32.7	39.2	41.6	52.0	62.4	74.9	83.2	104	125	156	187	208	235	294	300	300	300	300
SG9DB□ SG9SB□	N·m	1.09	1.31	1.63	1.96	2.18	2.72	3.27	3.92	4.16	5.20	6.24	7.49	8.32	10.4	12.5	15.6	18.7	20.8	23.5	29.4	30.0	30.0	30.0	30.0

- ❖ Among GEAR HEAD model names, □ is reduction gear ratio.
- ❖ Value of the chart is allowable torque of reduction gear of GEARED MOTOR.
- ❖ Regarding direction of rotation, in case of ■, its reduction gear ratio has same direction with MOTOR's and in case of □, its reduction gear ratio has the opposite direction of MOTOR's.
- ❖ rotation speed is calculated with synchronous rotation number of MOTOR(50Hz : 1500 r/min, 60Hz : 1800 r/min). Actual rotation speed can be less than (2~20%) depend on the size of the load 2~20%.

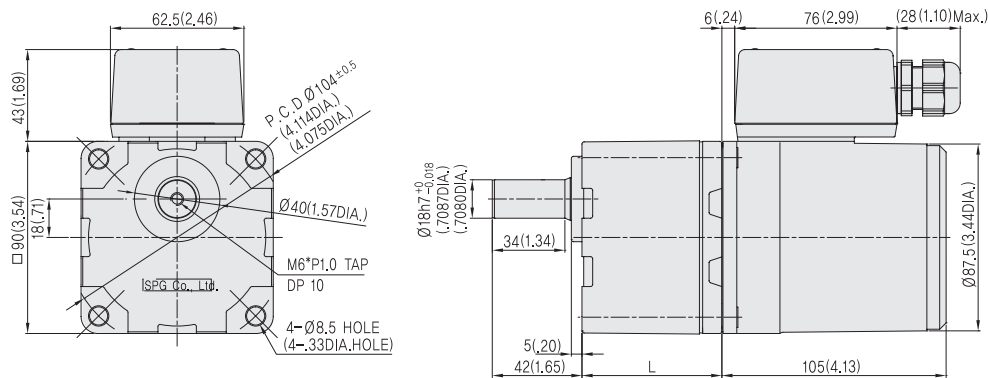
MOTOR



Unit : mm(inch)

MOTOR OUTPUT SHAFT	GEAR TYPE	KEY TYPE	D-CUT TYPE	STRAIGHT TYPE
	SG9I40G□-T	SG9I40K□-T	SG9I40D□-T	SG9I40S□-T

GEARED MOTOR



Unit : mm(inch)

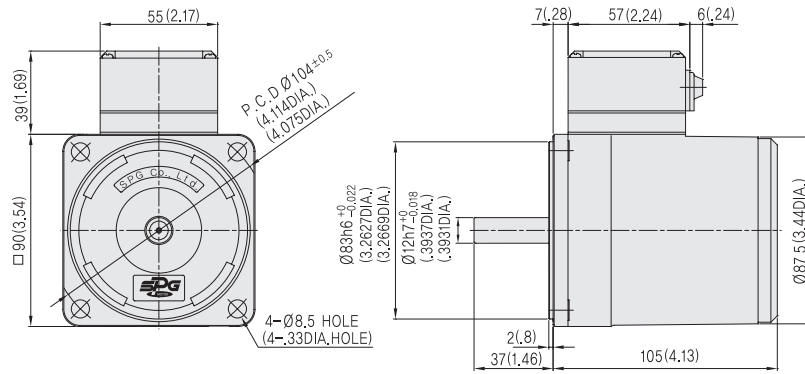
GEAR HEAD OUTPUT SHAFT	KEY TYPE	D-CUT TYPE	STRAIGHT TYPE
	SG9KB□	SG9DB□	SG9SB□

MODEL		GEAR RATIO	L	WEIGHT(kg)
GEAR HEAD	SG9□B□	5~20	45	0.85
		25~100	58	1.15
		120~300	64	1.30
MOTOR	SG9I40□□-T			2.45
	SG9I40□□-T1			2.40
	SG9I40□□-T2			2.60

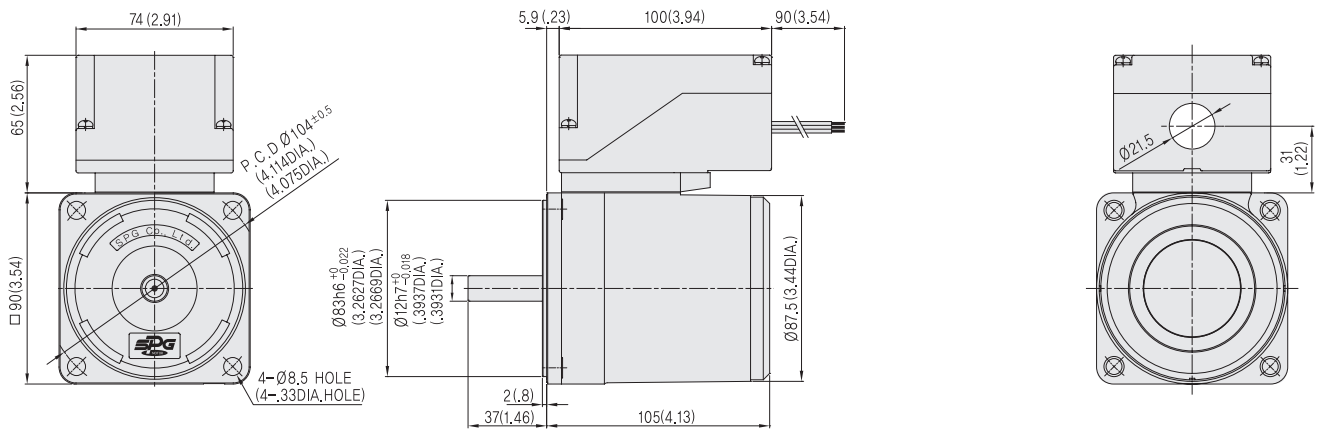
MOTOR

► T1

Unit : mm(inch)



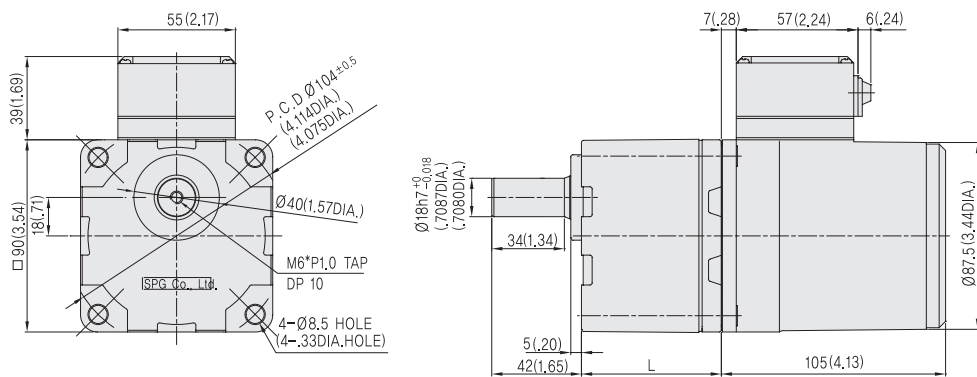
► T2



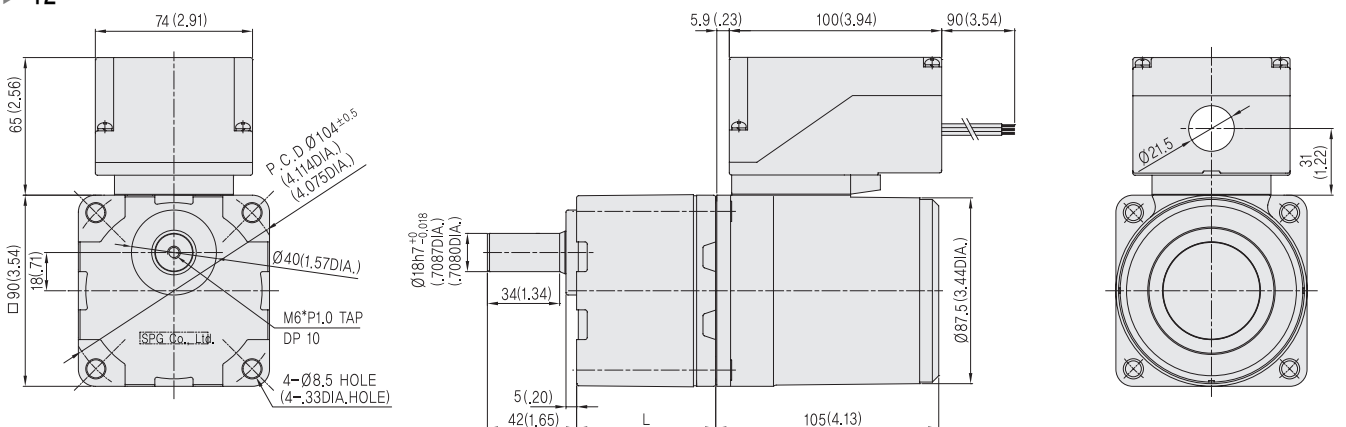
GEARED MOTOR

► T1

Unit : mm(inch)



► T2





60W

INDUCTION MOTOR

□ 90mm TERMINAL BOX TYPE



■ MOTOR

Model	Poles	Voltage		Freq. (Hz)	Duty	Rated Load				Starting Torque		Capacitor (μF)	Degree of Protection	Insulation Classification	Protected Type
		Phase	(V)			Current (A)	Speed (r/min)	Torque		(kgf · cm)	(mN · m)				
								(kgf · cm)	(mN · m)						
SG9160GA-T, T1, T2 SG9160KA-T, T1, T2 SG9160DA-T, T1, T2 SG9160SA-T, T1, T2	4	1	100	50	Cont. S1	1.03	1300	4.40	0.44	4.10	0.41	20.0 (250V)	IP54	B(130)	T.P.
				60		1.17	1600	3.60	0.36	4.30	0.43				
		1	110	60	1.08	1600	3.50	0.35	4.60	0.46	18.0 (250V)				
				60	1.08	1650	3.50	0.35	5.30	0.53					
SG9160GB-T, T1, T2 SG9160KB-T, T1, T2 SG9160DB-T, T1, T2 SG9160SB-T, T1, T2	4	1	200	50	Cont. S1	0.52	1300	4.30	0.43	4.50	0.45	5.0 (450V)	IP54	B(130)	T.P.
				60		0.6	1600	3.60	0.36	4.80	0.48				
		1	220	50	0.54	1300	4.30	0.43	4.50	0.45	4.0 (450V)				
				60	0.48	1600	3.50	0.35	4.50	0.45					
		1	230	50	0.58	1350	4.30	0.43	4.90	0.49					
				60	0.48	1650	3.50	0.35	4.80	0.48					
SG9160GT-T, T1, T2 SG9160KT-T, T1, T2 SG9160DT-T, T1, T2 SG9160ST-T, T1, T2	4	3	200	50	Cont. S1	0.42	1300	4.40	0.44	14.8	1.48	-	IP54	B(130)	T.P.
				60		0.37	1550	3.70	0.37	11.5	1.15				
		3	220	50	0.45	1350	4.30	0.43	18.1	1.81					
				60	0.38	1600	3.60	0.36	13.9	1.39					
		3	230	50	0.48	1350	4.20	0.42	19.6	1.96					
				60	0.38	1600	3.50	0.35	15.1	1.51					
SG9160GS-T, T1, T2 SG9160KS-T, T1, T2 SG9160DS-T, T1, T2 SG9160SS-T, T1, T2	4	3	380	50	Cont. S1	0.25	1300	4.30	0.43	16.1	1.61	-	IP54	B(130)	T.P.
				60		0.21	1600	3.60	0.36	12.8	1.28				
		3	400	50	0.26	1350	4.20	0.42	18.5	1.85					
				60	0.21	1600	3.60	0.36	14.2	1.42					
		3	415	70	0.28	1350	4.20	0.42	19.7	1.97					
				80	0.22	1600	3.50	0.35	15.3	1.53					
		3	440	50	0.32	1350	4.20	0.42	22.1	2.21					
				60	0.23	1650	3.50	0.35	17.0	1.70					

- ❖ All the model of SG series received UL, TÜV, CCC certificate.
- ❖ output 6W product is Impedance Protected, 15~90W product is Thermally Protected type.
- ❖ Depend on the voltage, the capacitors are divided into two model. Please inquire separately when operational voltage is AC 100V or 200V.

■ GEARED MOTOR – 50Hz

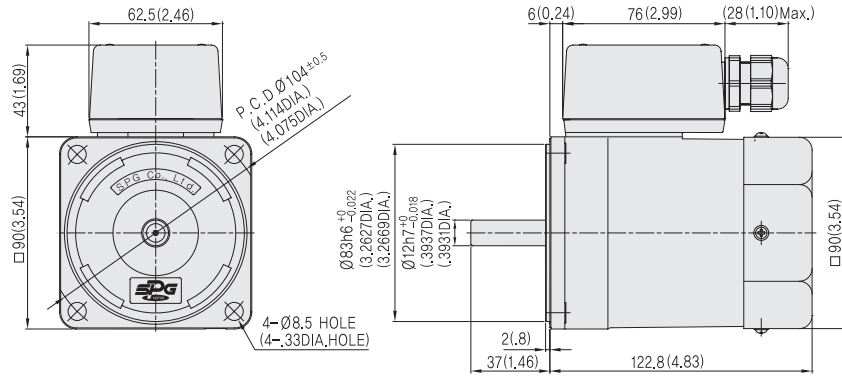
Model	Ratio	r/min																							
		5	6	7.5	9	10	12.5	15	18	20	25	30	36	40	50	60	75	90	100	120	150	180	200	250	300
SG9KB□	kgf·cm	19.7	23.7	29.6	35.5	39.4	49.3	59.1	71.0	75.3	94.2	113	136	151	188	226	283	300	300	300	300	300	300	300	300
SG9DB□	N·m	1.97	2.37	2.96	3.55	3.94	4.93	5.91	7.10	7.53	9.42	11.3	13.6	15.1	18.8	22.6	28.3	30.0	30.0	30.0	30.0	30.0	30.0	30.0	30.0
SG9SB□	N·m	1.97	2.37	2.96	3.55	3.94	4.93	5.91	7.10	7.53	9.42	11.3	13.6	15.1	18.8	22.6	28.3	30.0	30.0	30.0	30.0	30.0	30.0	30.0	30.0

■ GEARED MOTOR – 60Hz

Model	Ratio	r/min																							
		5	6	7.5	9	10	12.5	15	18	20	25	30	36	40	50	60	75	90	100	120	150	180	200	250	300
SG9KB□	kgf·cm	16.5	19.8	24.8	29.7	33.0	41.3	49.6	59.5	63.1	78.9	94.7	114	126	158	189	237	284	300	300	300	300	300	300	300
SG9DB□	N·m	1.65	1.98	2.48	2.97	3.30	4.13	4.96	5.95	6.31	7.89	9.47	11.4	12.6	15.8	18.9	23.7	28.4	30.0	30.0	30.0	30.0	30.0	30.0	30.0
SG9SB□	N·m	1.65	1.98	2.48	2.97	3.30	4.13	4.96	5.95	6.31	7.89	9.47	11.4	12.6	15.8	18.9	23.7	28.4	30.0	30.0	30.0	30.0	30.0	30.0	30.0

- ❖ Among GEAR HEAD model names, □ is reduction gear ratio.
- ❖ Value of the chart is allowable torque of reduction gear of GEARED MOTOR.
- ❖ Regarding direction of rotation, in case of □, its reduction gear ratio has same direction with MOTOR's and in case of □, its reduction gear ratio has the opposite direction of MOTOR's.
- ❖ rotation speed is calculated with synchronous rotation number of MOTOR(50Hz : 1500 r/min, 60Hz : 1800 r/min).
Actual rotation speed can be less than (2~20%) depend on the size of the load 2~20%.

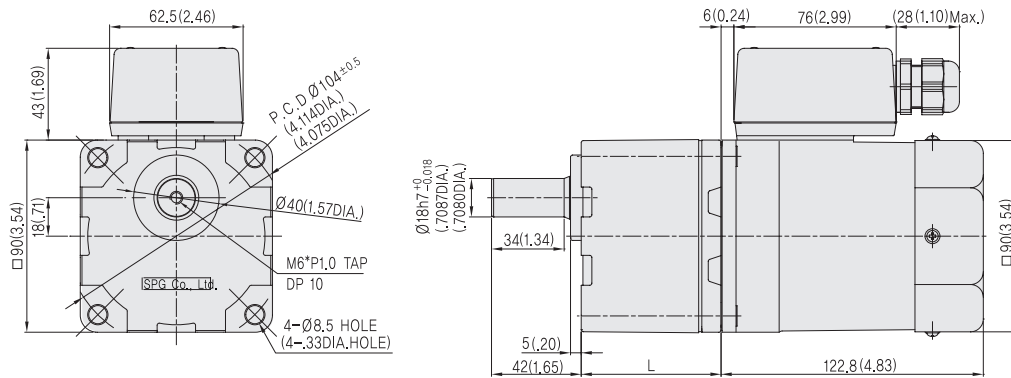
MOTOR



Unit : mm(inch)

MOTOR OUTPUT SHAFT	GEAR TYPE	KEY TYPE	D-CUT TYPE	STRAIGHT TYPE
	SG9I60G□-T	SG9I60K□-T	SG9I60D□-T	SG9I60S□-T

GEARED MOTOR



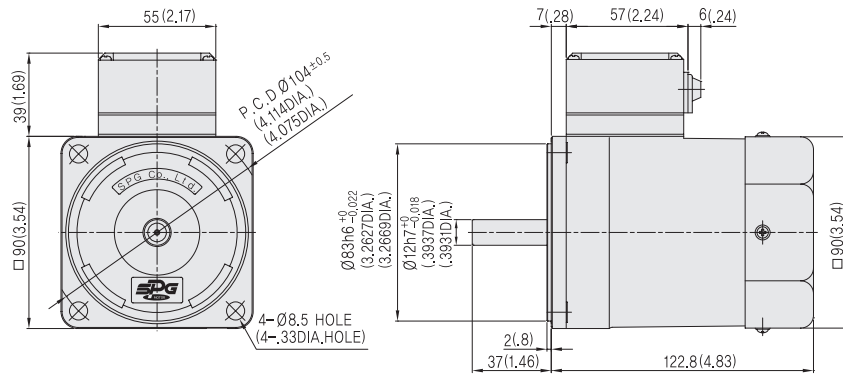
Unit : mm(inch)

GEAR HEAD OUTPUT SHAFT	KEY TYPE	D-CUT TYPE	STRAIGHT TYPE
	SG9KB□	SG9DB□	SG9SB□

MODEL		GEAR RATIO	L	WEIGHT(kg)
GEAR HEAD	SG9□B□	5~20	45	0.85
		25~100	58	1.15
		120~300	64	1.30
MOTOR	SG9I60□□-T			2.60
	SG9I60□□-T1			2.55
	SG9I60□□-T2			2.75

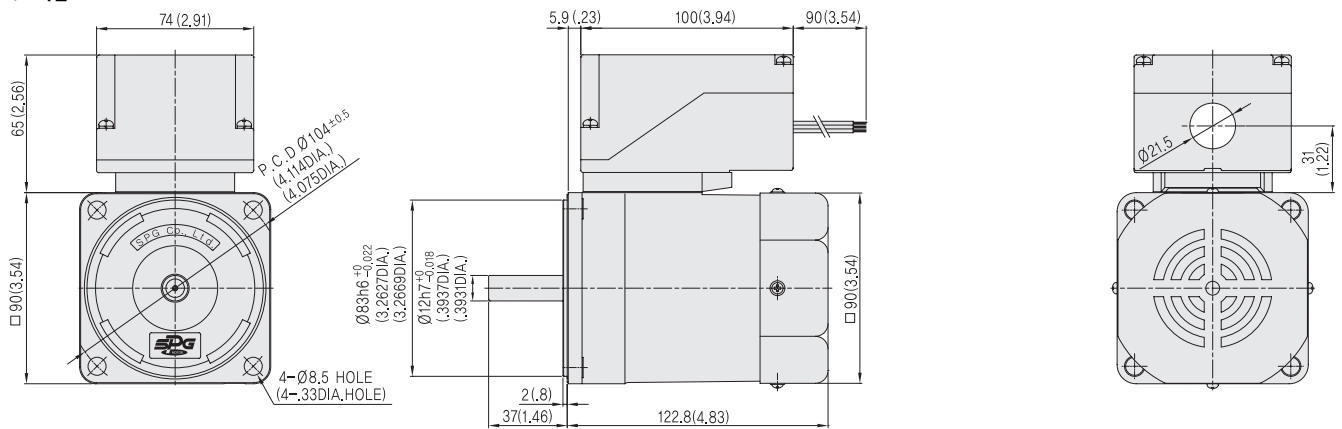
MOTOR

▶ T1



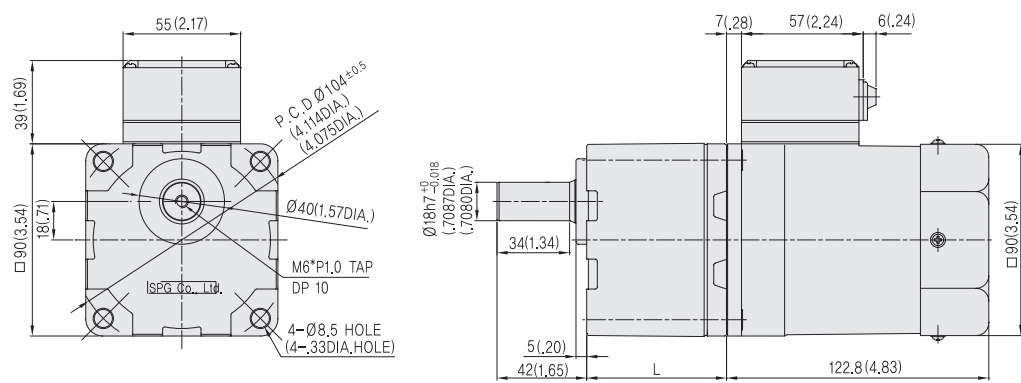
Unit : mm(inch)

▶ T2



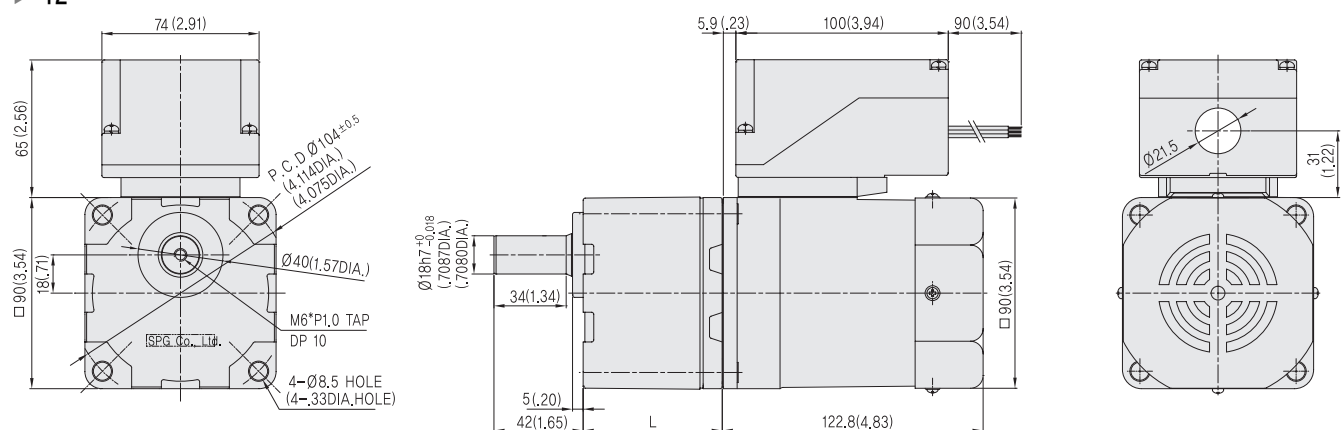
GEARED MOTOR

▶ T1



Unit : mm(inch)

▶ T2





90W

INDUCTION MOTOR

□ 90mm TERMINAL BOX TYPE



■ MOTOR

Model	Poles	Voltage		Freq. (Hz)	Duty	Rated Load				Starting Torque		Capacitor (μF)	Degree of Protection	Insulation Classification	Protected Type
		Phase	(V)			Current (A)	Speed (r/min)	Torque (kgf·cm) (mN·m)		(kgf·cm)	(mN·m)				
SG9I90GA-T, T1, T2 SG9I90KA-T, T1, T2 SG9I90DA-T, T1, T2 SG9I90SA-T, T1, T2	4	1	100	50	Cont. S1	1.46	1300	6.50	0.65	4.70	0.47	28.0 (250V)	IP54	B(130)	T.P.
				60		1.78	1600	5.30	0.53	5.10	0.51				
		1	110	60		1.29	1600	5.30	0.53	4.60	0.46	20.0 (250V)			
				60		1.26	1650	5.20	0.52	5.20	0.52				
SG9I90GB-T, T1, T2 SG9I90KB-T, T1, T2 SG9I90DB-T, T1, T2 SG9I90SB-T, T1, T2	4	1	200	50	Cont. S1	0.74	1300	6.50	0.65	5.70	0.57	7.0 (450V)	IP54	B(130)	T.P.
				60		0.92	1600	5.30	0.53	5.90	0.59				
		1	220	50		0.67	1350	6.40	0.64	5.90	0.59	6.0 (450V)			
				60		0.79	1650	5.20	0.52	6.10	0.61				
		1	230	50		0.68	1350	6.30	0.63	7.00	0.7				
				60		0.78	1650	5.20	0.52	6.40	0.64				
SG9I90GT-T, T1, T2 SG9I90KT-T, T1, T2 SG9I90DT-T, T1, T2 SG9I90ST-T, T1, T2	4	3	200	50	Cont. S1	0.59	1300	6.50	0.65	22.1	2.21	-	IP54	B(130)	T.P.
				60		0.53	1550	5.50	0.55	17.7	1.77				
		3	220	50		0.63	1350	6.40	0.64	26.3	2.63				
				60		0.53	1600	5.30	0.53	21.6	2.16				
		3	230	50		0.67	1350	6.30	0.63	29.0	2.90				
				60		0.54	1600	5.30	0.53	23.3	2.33				
SG9I90GS-T, T1, T2 SG9I90KS-T, T1, T2 SG9I90DS-T, T1, T2 SG9I90SS-T, T1, T2	4	3	380	50	Cont. S1	0.3	1300	6.60	0.66	20.6	2.06	-	IP54	B(130)	T.P.
				60		0.27	1550	5.50	0.55	15.6	1.56				
		3	400	50		0.3	1300	6.50	0.65	22.5	2.25				
				60		0.36	1600	5.40	0.54	17.3	1.73				
		3	415	70		0.31	1300	6.40	0.64	23.9	2.39				
				80		0.26	1600	5.40	0.54	18.6	1.86				
		3	440	50		0.33	1350	6.30	0.63	26.6	2.66				
				60		0.27	1600	5.30	0.53	20.6	2.06				

- ❖ All the model of SG series received UL, TÜV, CCC certificate.
- ❖ output 6W product is Impedance Protected, 15~90W product is Thermally Protected type.
- ❖ Depend on the voltage, the capacitors are divided into two model. Please inquire separately when operational voltage is AC 100V or 200V.

■ GEARED MOTOR – 50Hz

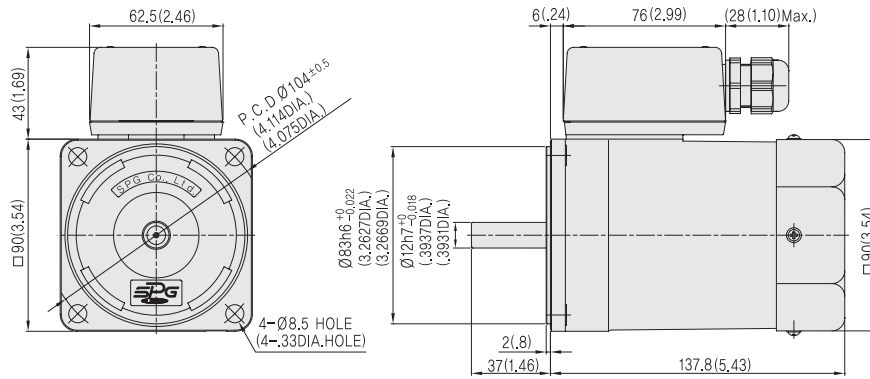
Model	Ratio	5	6	7.5	9	10	12.5	15	18	20	25	30	36	40	50	60	75	90	100	120	150	180	200	
	r/min	300	250	200	167	150	120	100	83.3	75.0	60.0	50.0	41.6	37.5	30.0	25.0	20.0	16.6	15.0	12.5	10.0	8.3	7.5	
SG9KC□	kgf·cm	31.1	37.3	46.6	56.0	62.2	77.7	93.3	107	119	149	178	214	238	297	357	400	400	400	400	400	400	400	400
SG9DC□ SG9SC□	N·m	3.11	3.73	4.66	5.60	6.22	7.77	9.33	10.7	11.9	14.9	17.8	21.4	23.8	29.7	35.7	40.0	40.0	40.0	40.0	40.0	40.0	40.0	40.0

■ GEARED MOTOR – 60Hz

Model	Ratio	5	6	7.5	9	10	12.5	15	18	20	25	30	36	40	50	60	75	90	100	120	150	180	200	
	r/min	360	300	240	200	180	144	120	100	90.0	72.0	60.0	50.0	45.0	36.0	30.0	24.0	20.0	18.0	15.0	12.0	10.0	9.0	
SG9KC□	kgf·cm	25.7	30.8	38.5	46.2	51.3	64.1	77.0	88.2	98.0	123	147	177	196	245	294	346	400	400	400	400	400	400	400
SG9DC□ SG9SC□	N·m	2.57	3.08	3.85	4.62	5.13	6.41	7.70	8.82	9.80	12.3	14.7	17.7	19.6	24.5	29.4	34.6	40.0	40.0	40.0	40.0	40.0	40.0	40.0

- ❖ Among GEAR HEAD model names, □ is reduction gear ratio.
- ❖ Value of the chart is allowable torque of reduction gear of GEARED MOTOR.
- ❖ Regarding direction of rotation, in case of ■, its reduction gear ratio has same direction with MOTOR's and in case of □, its reduction gear ratio has the opposite direction of MOTOR's.
- ❖ rotation speed is calculated with synchronous rotation number of MOTOR(50Hz : 1500 r/min, 60Hz : 1800 r/min). Actual rotation speed can be less than (2~20%) depend on the size of the load 2~20%.

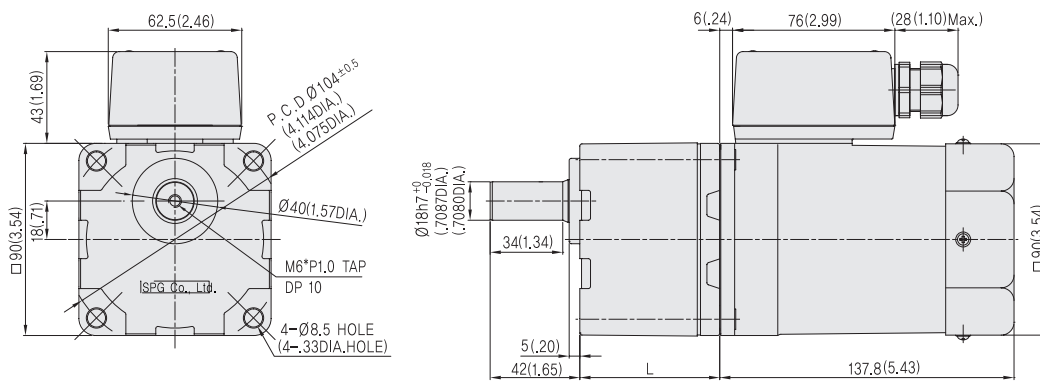
MOTOR



Unit : mm(inch)

MOTOR OUTPUT SHAFT	GEAR TYPE	KEY TYPE	D-CUT TYPE	STRAIGHT TYPE
	SG9I90G□-T	SG9I90K□-T	SG9I90D□-T	SG9I90S□-T

GEARED MOTOR



Unit : mm(inch)

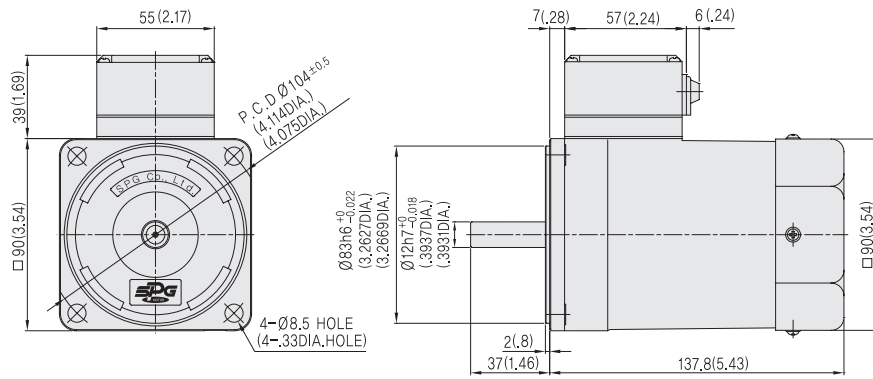
GEAR HEAD OUTPUT SHAFT	KEY TYPE	D-CUT TYPE	STRAIGHT TYPE
	SG9KC□	SG9DC□	SG9SC□

MODEL		GEAR RATIO	L	WEIGHT(kg)
GEAR HEAD	SG9□C□	5~15	45	0.85
		18~36	58	1.15
		50~180	70	1.42
MOTOR	SG9I90□□-T			3.10
	SG9I90□□-T1			3.05
	SG9I90□□-T2			3.25

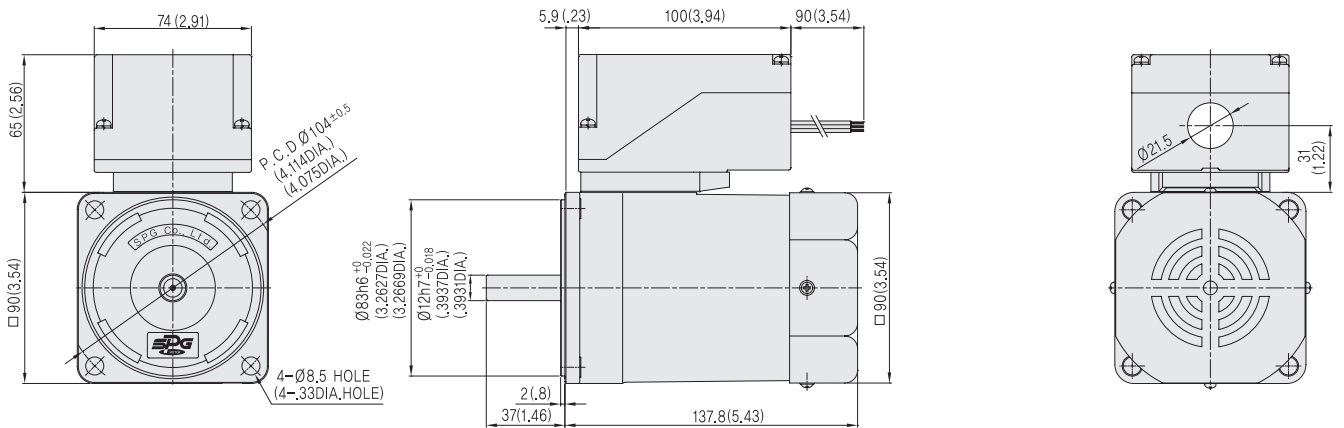
MOTOR

► T1

Unit : mm(inch)



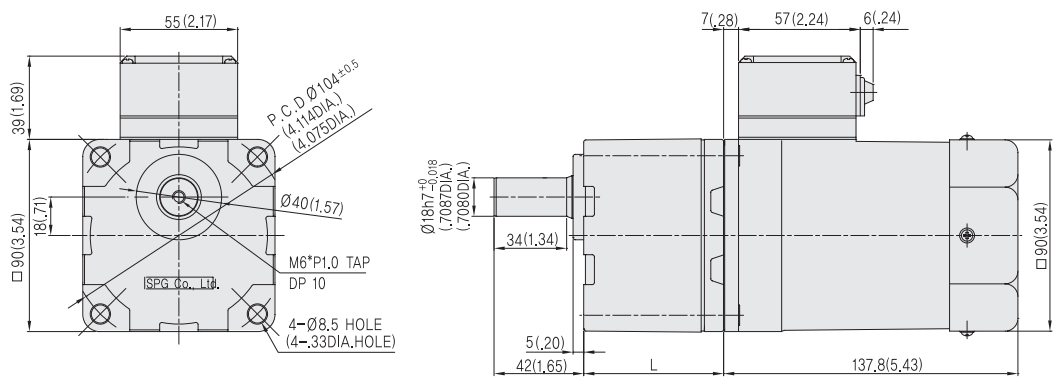
► T2



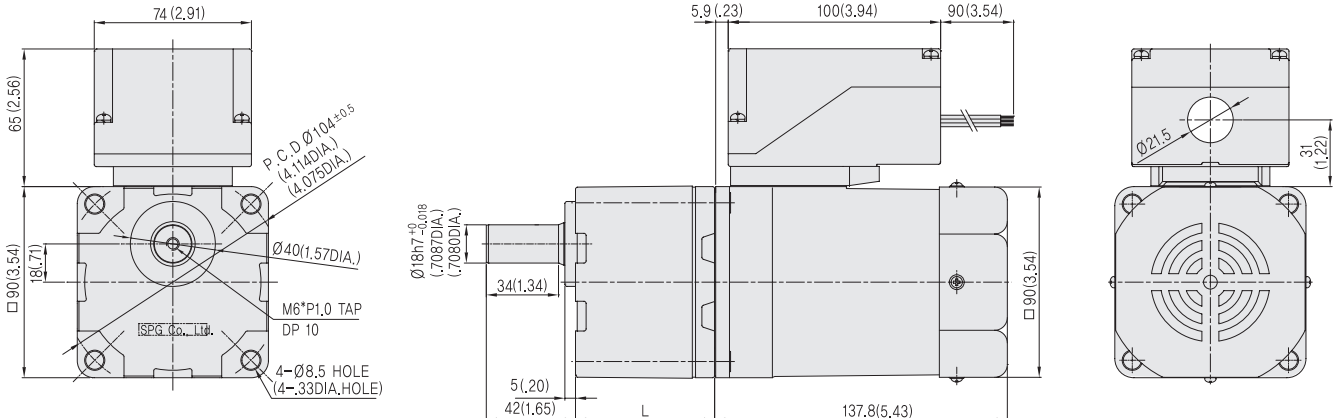
GEARED MOTOR

► T1

Unit : mm(inch)



► T2





6W

REVERSIBLE MOTOR

□ 60mm TERMINAL BOX TYPE



■ MOTOR

Model	Poles	Voltage		Freq. (Hz)	Duty	Rated Load				Starting Torque		Capacitor (μ F)	Degree of Protection	Insulation Classification	Protected Type
		Phase	(V)			Current (A)	Speed (r/min)	Torque		(kgf · cm)	(mN · m)				
								(kgf · cm)	(mN · m)						
SG6R06GA-T, T1, T2 SG6R06DA-T, T1, T2 SG6R06SA-T, T1, T2	4	1	100	50	S2(30min)	0.25	1250	0.46	46	0.68	68	4.5 (250V)	IP23	B(130)	Z.P.
			60	0.30		1500	0.38	38	0.68	68					
		1	110	60		0.25	1550	0.37	37	0.68	68	3.5 (250V)			
			115	60		0.25	1550	0.37	37	0.68	68				
SG6R06GB-T, T1, T2 SG6R06DB-T, T1, T2 SG6R06SB-T, T1, T2	4	1	200	50	S2(30min)	0.12	1250	0.46	46	0.54	54	1.0 (450V)	IP23	B(130)	Z.P.
			60	0.12		1500	0.37	37	0.54	54					
		1	220	50		0.12	1250	0.46	46	0.50	50	0.8 (450V)			
			60	0.12		1550	0.37	37	0.50	50					
		1	230	50		0.12	1250	0.45	45	0.58	58				
				60		0.12	1550	0.37	37	0.58	58				

- ❖ All the model of SG series received UL, TÜV, CCC certificate.
- ❖ output 6W product is Impedance Protected, 15~90W product is Thermally Protected type.
- ❖ Depend on the voltage, the capacitors are divided into two model. Please inquire separately when operational voltage is AC 100V or 200V.

■ GEARED MOTOR – 50Hz

Model	Ratio	5	6	7.5	9	10	12.5	15	18	20	25	30	36	40	50	60	75	90	100	120	150	180	200	250	300	360
	r/min	300	250	200	167	150	120	100	83.3	75.0	60.0	50.0	41.6	37.5	30.0	25.0	20.0	16.6	15.0	12.5	10.0	8.3	7.5	6.0	5.0	4.1
SG6KA□	kgf·cm	2.10	2.50	3.11	3.73	4.14	5.20	6.21	7.50	8.30	10.4	11.9	14.2	15.8	19.8	23.7	29.7	35.6	39.6	47.5	55.9	60.0	60.0	60.0	60.0	60.0
SG6DA□	N·m	0.21	0.25	0.31	0.37	0.41	0.52	0.62	0.75	0.83	1.04	1.19	1.42	1.58	1.98	2.37	2.97	3.56	3.96	4.75	5.59	6.00	6.00	6.00	6.00	6.00
SG6SA□																										

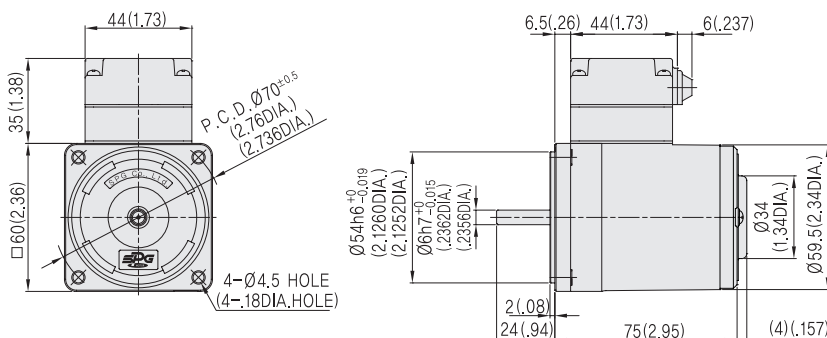
■ GEARED MOTOR – 60Hz

Model	Ratio	5	6	7.5	9	10	12.5	15	18	20	25	30	36	40	50	60	75	90	100	120	150	180	200	250	300	360
	r/min	360	300	240	200	180	144	120	100	90.0	72.0	60.0	50.0	45.0	36.0	30.0	24.0	20.0	18.0	15.0	12.0	10.0	9.0	7.2	6.0	5.0
SG6KA□	kgf·cm	1.71	2.10	2.60	3.10	3.42	4.30	5.13	6.20	6.84	8.60	9.80	11.8	13.1	16.3	19.6	24.5	29.4	32.7	39.2	46.2	55.4	60.0	60.0	60.0	60.0
SG6DA□	N·m	0.17	0.21	0.26	0.31	0.34	0.43	0.51	0.62	0.68	0.86	0.98	1.18	1.31	1.63	1.96	2.45	2.94	3.27	3.92	4.62	5.54	6.00	6.00	6.00	6.00
SG6SA□																										

- ❖ Among GEAR HEAD model names, □ is reduction gear ratio.
- ❖ Value of the chart is allowable torque of reduction gear of GEARED MOTOR.
- ❖ Regarding direction of rotation, in case of □, its reduction gear ratio has same direction with MOTOR's and in case of □, its reduction gear ratio has the opposite direction of MOTOR's.
- ❖ rotation speed is calculated with synchronous rotation number of MOTOR(50Hz : 1500 r/min, 60Hz : 1800 r/min). Actual rotation speed can be less than (2~20%) depend on the size of the load 2~20%.

MOTOR

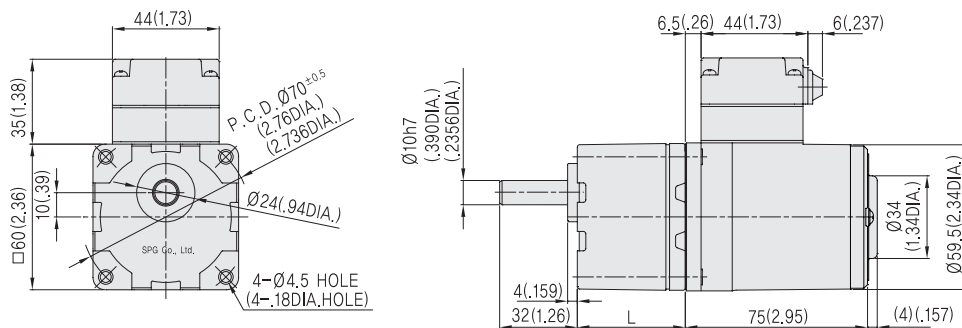
Unit : mm(inch)



MOTOR OUTPUT SHAFT	GEAR TYPE	D-CUT TYPE	STRAIGHT TYPE
	SG6R06G□-T	SG6R06D□-T	SG6R06S□-T

GEARED MOTOR

Unit : mm(inch)



GEAR HEAD OUTPUT SHAFT	KEY TYPE	D-CUT TYPE	STRAIGHT TYPE
	SG6KA□	SG6DA□	SG6SA□

MODEL	GEAR RATIO	L	WEIGHT(kg)	
GEAR HEAD	SG6□A□	5~25	34	0.28
		30~120	38	0.33
		150~360	43	0.37
MOTOR	SG6R06□□-T		0.77	



15W

REVERSIBLE MOTOR

□ 70mm TERMINAL BOX TYPE



■ MOTOR

Model	Poles	Voltage		Freq.	Duty	Rated Load				Starting Torque		Capacitor	Degree of Protection	Insulation Classification	Protected Type				
		Phase	(V)			(Hz)	Current	Speed	Torque		(kgf · cm)					(mN · m)			
				(A)					(r/min)	(kgf · cm)		(mN · m)							
SG7R15GA-T, T1, T2 SG7R15DA-T, T1, T2 SG7R15SA-T, T1, T2	4	1	100	50	S2(30min)	0.39	1300	1.10	110	1.20	120	7.5 (250V)	IP23	B(130)	T.P.				
				60		0.45	1600	0.90	90	1.20	120								
		1	110	60		0.37	1600	0.90	90	1.20	120	6.0 (250V)							
60	0.37			1600		0.90	90	1.20	120										
SG7R15GB-T, T1, T2 SG7R15DB-T, T1, T2 SG7R15SB-T, T1, T2	4	1	200	50		S2(30min)	0.19	1250	1.10	110	1.20	120				1.8 (450V)	IP23	B(130)	T.P.
				60			0.24	1550	0.90	90	1.20	120							
		1	220	50	0.18		1300	1.10	110	1.20	120	1.5 (450V)							
				60	0.21		1550	0.90	90	1.20	120								
		1	230	50	0.19		1300	1.10	110	1.30	130								
				60	0.21		1600	0.90	90	1.40	140								

- ❖ All the model of SG series received UL, TÜV, CCC certificate.
- ❖ output 6W product is Impedance Protected, 15~90W product is Thermally Protected type.
- ❖ Depend on the voltage, the capacitors are divided into two model. Please inquire separately when operational voltage is AC 100V or 200V.

■ GEARED MOTOR – 50Hz

Model	Ratio	r/min																								
		5	6	7.5	9	10	12.5	15	18	20	25	30	36	40	50	60	75	90	100	120	150	180	200	250	300	360
SG7KA□	kgf·cm	5.20	6.21	7.80	9.32	10.4	12.9	15.5	18.6	20.7	25.9	29.7	35.6	39.6	49.5	59.3	74.2	89.0	98.9	100	100	100	100	100	100	100
SG7DA□	N·m	0.52	0.62	0.78	0.93	1.04	1.29	1.55	1.86	2.07	2.59	2.97	3.56	3.96	4.95	5.93	7.42	8.90	9.89	10.0	10.0	10.0	10.0	10.0	10.0	10.0
SG7SA□																										

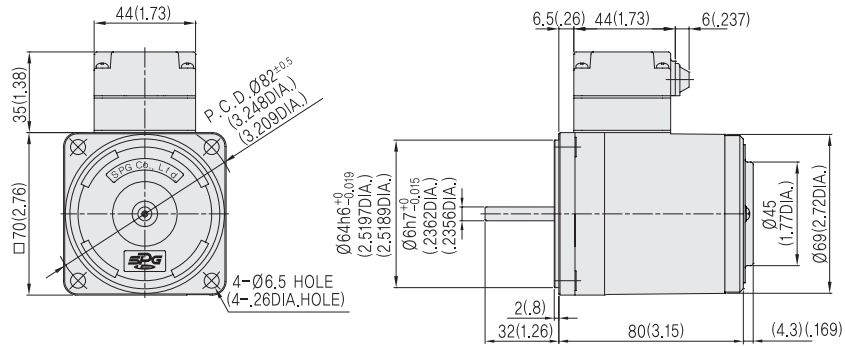
■ GEARED MOTOR – 60Hz

Model	Ratio	r/min																								
		5	6	7.5	9	10	12.5	15	18	20	25	30	36	40	50	60	75	90	100	120	150	180	200	250	300	360
SG7KA□	kgf·cm	4.20	5.02	6.30	7.53	8.40	10.5	12.6	15.1	16.7	20.9	24.0	28.8	32.0	40.0	48.0	60.0	72.0	80.0	96.0	100	100	100	100	100	100
SG7DA□	N·m	0.42	0.50	0.63	0.75	0.84	1.05	1.26	1.51	1.67	2.09	2.40	2.88	3.20	4.00	4.80	6.00	7.20	8.00	9.60	10.0	10.0	10.0	10.0	10.0	10.0
SG7SA□																										

- ❖ Among GEAR HEAD model names, □ is reduction gear ratio.
- ❖ Value of the chart is allowable torque of reduction gear of GEARED MOTOR.
- ❖ Regarding direction of rotation, in case of ■, its reduction gear ratio has same direction with MOTOR's and in case of □, its reduction gear ratio has the opposite direction of MOTOR's.
- ❖ rotation speed is calculated with synchronous rotation number of MOTOR(50Hz : 1500 r/min, 60Hz : 1800 r/min). Actual rotation speed can be less than (2~20%) depend on the size of the load 2~20%.

MOTOR

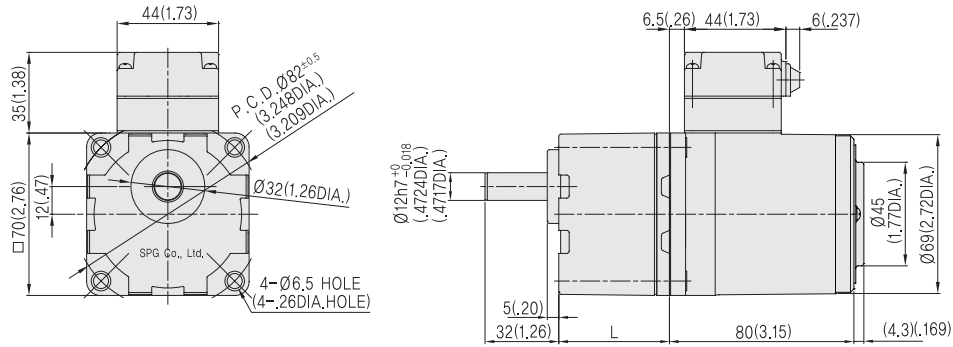
Unit : mm(inch)



MOTOR OUTPUT SHAFT	GEAR TYPE	D-CUT TYPE	STRAIGHT TYPE
	SG7R15G□-T	SG7R15D□-T	SG7R15S□-T

GEARED MOTOR

Unit : mm(inch)



GEAR HEAD OUTPUT SHAFT	KEY TYPE	D-CUT TYPE	STRAIGHT TYPE
	SG7KA□	SG7DA□	SG7SA□

MODEL		GEAR RATIO	L	WEIGHT(kg)
GEAR HEAD	SG7□A□	5~120	43	0.42
		150~360	48	0.52
MOTOR	SG7R15□□-T			1.11



25W

REVERSIBLE MOTOR

80mm TERMINAL BOX TYPE



MOTOR

Model	Poles	Voltage		Freq. (Hz)	Duty	Rated Load				Starting Torque		Capacitor (μ F)	Degree of Protection	Insulation Classification	Protected Type
		Phase	(V)			Current (A)	Speed (r/min)	Torque		(kgf·cm)	(mN·m)				
								(kgf·cm)	(mN·m)						
SG8R25GA-T, T1, T2 SG8R25KA-T, T1, T2 SG8R25DA-T, T1, T2 SG8R25SA-T, T1, T2	4	1	100	50	S2(30min)	0.57	1250	1.90	0.19	2.20	0.22	10.0 (250V)	IP23	B(130)	T.P.
			110	60		0.64	1550	1.50	0.15	2.30	0.23				
		1	115	60		0.51	1600	1.50	0.15	2.10	0.21	8.0 (250V)			
			60	0.51		1600	1.50	0.15	2.40	0.24					
SG8R25GB-T, T1, T2 SG8R25KB-T, T1, T2 SG8R25DB-T, T1, T2 SG8R25SB-T, T1, T2	4	1	200	50	S2(30min)	0.28	1200	2.00	0.20	1.90	0.19	2.5 (450V)	IP23	B(130)	T.P.
			220	60		0.34	1450	1.60	0.16	1.90	0.19				
		1	230	50		0.26	1250	1.90	0.19	2.20	0.22	2.0 (450V)			
			60	0.28		1500	1.60	0.16	2.10	0.21					
		1	230	50		0.26	1300	1.90	0.19	2.30	0.23				
			60	0.28		1550	1.50	0.15	2.60	0.26					

❖ All the model of SG series received UL, TÜV, CCC certificate.

❖ output 6W product is Impedance Protected, 15~90W product is Thermally Protected type.

❖ Depend on the voltage, the capacitors are divided into two model. Please inquire separately when operational voltage is AC 100V or 200V.

GEARED MOTOR – 50Hz

Model	Ratio	5	6	7.5	9	10	12.5	15	18	20	25	30	36	40	50	60	75	90	100	120	150	180	200	250	300	360
	r/min	300	250	200	167	150	120	100	83.3	75.0	60.0	50.0	41.6	37.5	30.0	25.0	20.0	16.6	15.0	12.5	10.0	8.3	7.5	6.0	5.0	4.1
SG8KA <input type="checkbox"/>	kgf·cm	8.90	10.7	13.4	16.0	17.8	22.3	26.7	32.1	35.6	44.6	51.1	61.3	68.1	85.1	102	128	153	160	160	160	160	160	160	160	160
SG8DA <input type="checkbox"/>	N·m	0.89	1.07	1.34	1.60	1.78	2.23	2.67	3.21	3.56	4.46	5.11	6.13	6.81	8.51	10.2	12.8	15.3	16.0	16.0	16.0	16.0	16.0	16.0	16.0	16.0
SG8SA <input type="checkbox"/>																										

GEARED MOTOR – 60Hz

Model	Ratio	5	6	7.5	9	10	12.5	15	18	20	25	30	36	40	50	60	75	90	100	120	150	180	200	250	300	360
	r/min	360	300	240	200	180	144	120	100	90.0	72.0	60.0	50.0	45.0	36.0	30.0	24.0	20.0	18.0	15.0	12.0	10.0	9.0	7.2	6.0	5.0
SG8KA <input type="checkbox"/>	kgf·cm	7.30	8.80	10.9	13.1	14.6	18.2	21.9	26.2	29.2	36.5	41.8	50.2	55.7	69.7	83.6	105	125	139	160	160	160	160	160	160	160
SG8DA <input type="checkbox"/>	N·m	0.73	0.88	1.09	1.31	1.46	1.82	2.19	2.62	2.92	3.65	4.18	5.02	5.57	6.97	8.36	10.5	12.5	13.9	16.0	16.0	16.0	16.0	16.0	16.0	16.0
SG8SA <input type="checkbox"/>																										

❖ Among GEAR HEAD model names, is reduction gear ratio.

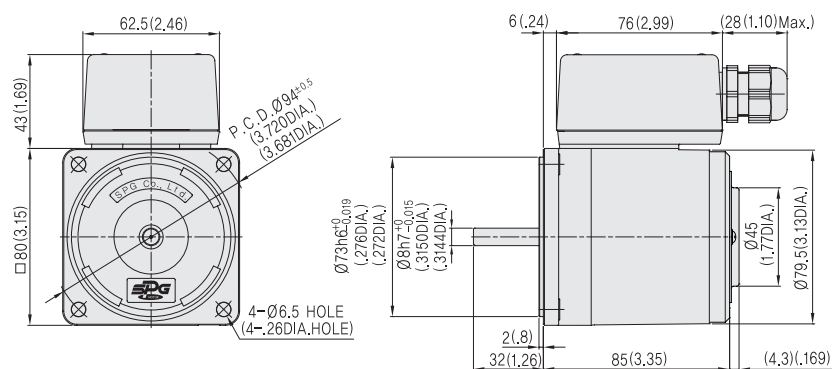
❖ Value of the chart is allowable torque of reduction gear of GEARED MOTOR.

❖ Regarding direction of rotation, in case of , its reduction gear ratio has same direction with MOTOR's and in case of , its reduction gear ratio has the opposite direction of MOTOR's.

❖ rotation speed is calculated with synchronous rotation number of MOTOR(50Hz : 1500 r/min, 60Hz : 1800 r/min).

Actual rotation speed can be less than (2~20%) depend on the size of the load 2~20%.

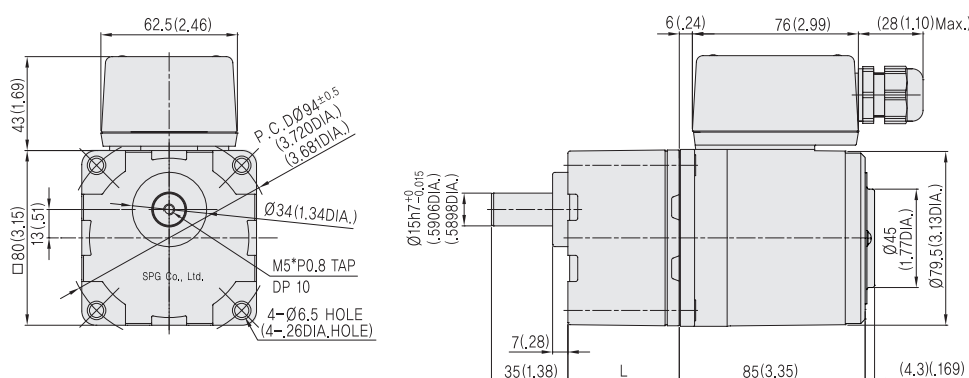
MOTOR



Unit : mm(inch)

MOTOR OUTPUT SHAFT	GEAR TYPE	KEY TYPE	D-CUT TYPE	STRAIGHT TYPE
	SG8R25G□-T	SG8R25K□-T	SG8R25D□-T	SG8R25S□-T

GEARED MOTOR



Unit : mm(inch)

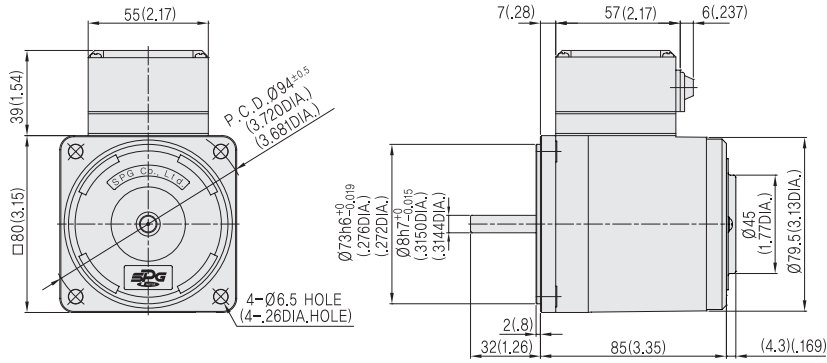
GEAR HEAD OUTPUT SHAFT	KEY TYPE	D-CUT TYPE	STRAIGHT TYPE
	SG8KA□	SG8DA□	SG8SA□

MODEL		GEAR RATIO	L	WEIGHT(kg)
GEAR HEAD	SG8□A□	5~25	41	0.61
		30~120	46	0.72
		150~360	51	0.80
MOTOR	SG8R25□□-T			1.65
	SG8R25□□-T1			1.60
	SG8R25□□-T2			1.80

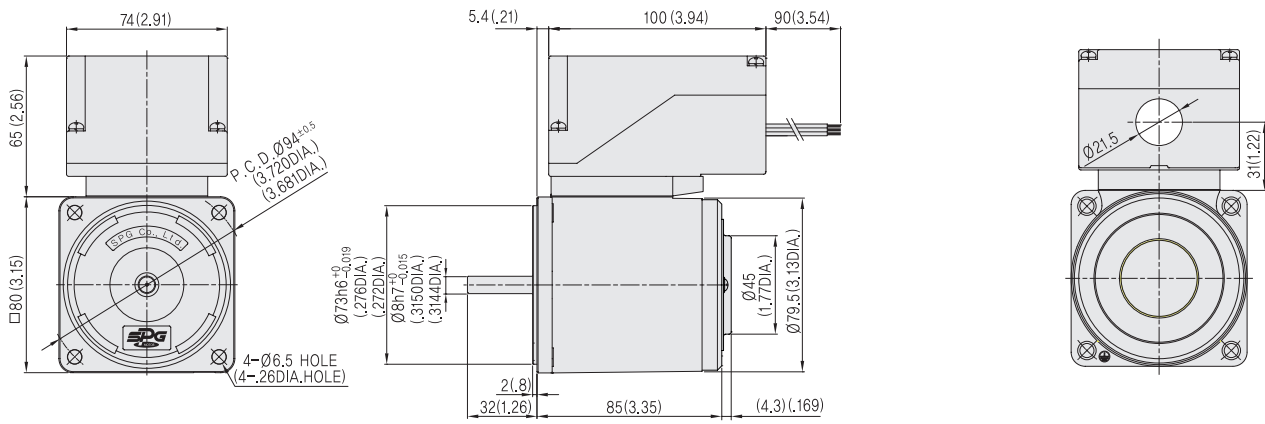
MOTOR

► T1

Unit : mm(inch)



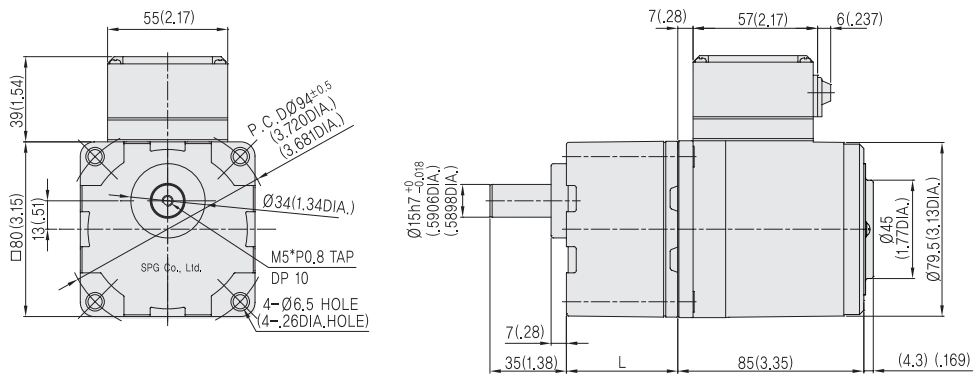
► T2



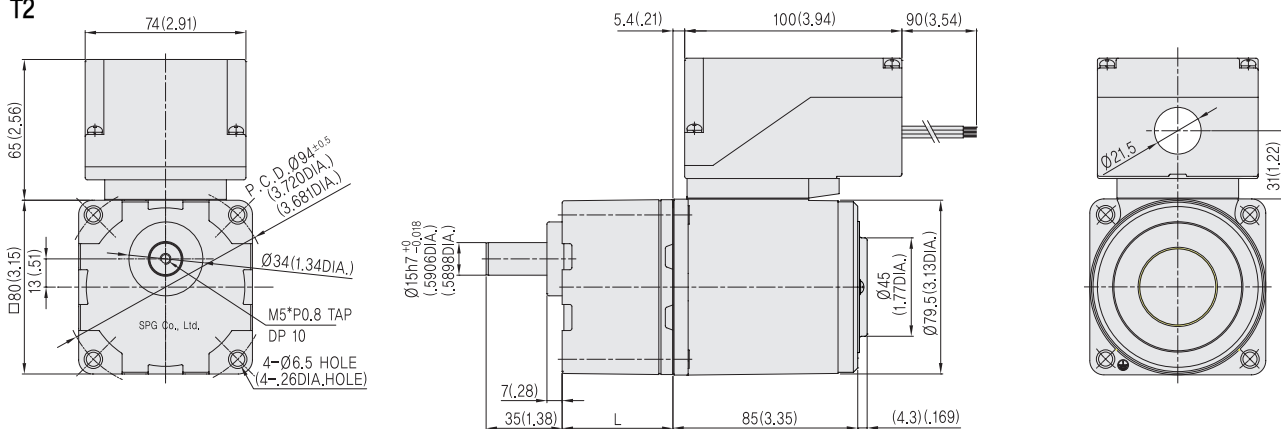
GEARED MOTOR

► T1

Unit : mm(inch)



► T2





40W

REVERSIBLE MOTOR

□ 90mm TERMINAL BOX TYPE



■ MOTOR

Model	Poles	Voltage		Freq. (Hz)	Duty	Rated Load				Starting Torque		Capacitor (μF)	Degree of Protection	Insulation Classification	Protected Type
		Phase	(V)			Current (A)	Speed (r/min)	Torque		(kgf·cm)	(mN·m)				
				(kgf·cm)				(mN·m)							
SG9R40GA-T, T1, T2 SG9R40KA-T, T1, T2 SG9R40DA-T, T1, T2 SG9R40SA-T, T1, T2	4	1	100	50	S2(30min)	0.81	1300	2.90	0.29	3.60	0.36	16.0 (250V)	IP23	B(130)	T.P.
				60		1.03	1600	2.40	0.24	3.70	0.37				
		1	110	60		0.78	1600	2.40	0.24	3.50	0.35	12.0 (250V)			
				60		0.78	1600	2.40	0.24	3.60	0.36				
SG9R40GB-T, T1, T2 SG9R40KB-T, T1, T2 SG9R40DB-T, T1, T2 SG9R40SB-T, T1, T2	4	1	200	50	S2(30min)	0.40	1300	2.90	0.29	3.70	0.37	4.0 (450V)	IP23	B(130)	T.P.
				60		0.50	1500	2.40	0.24	3.90	0.39				
		1	220	50		0.38	1300	2.90	0.29	4.00	0.40	3.5 (450V)			
				60		0.43	1600	2.40	0.24	4.00	0.40				
		1	230	50		0.38	1300	2.80	0.28	4.20	0.42				
				60		0.43	1600	2.40	0.24	4.30	0.43				

- ❖ All the model of SG series received UL, TÜV, CCC certificate.
- ❖ output 6W product is Impedance Protected, 15~90W product is Thermally Protected type.
- ❖ Depend on the voltage, the capacitors are divided into two model. Please inquire separately when operational voltage is AC 100V or 200V.

■ GEARED MOTOR – 50Hz

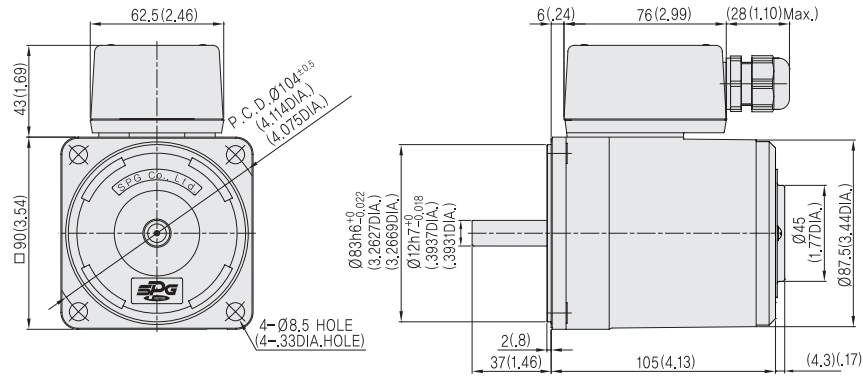
Model	Ratio	5	6	7.5	9	10	12.5	15	18	20	25	30	36	40	50	60	75	90	100	120	150	180	200	250	300
		r/min	300	250	200	167	150	120	100	83.3	75.0	60.0	50.0	41.6	37.5	30.0	25.0	20.0	16.6	15.0	12.5	10.0	8.3	7.5	6.0
SG9KB□ SG9DB□ SG9SB□	kgf·cm	13.4	16.1	20.1	24.1	26.8	33.5	40.2	48.3	51.3	64.1	76.9	92.3	103	128	154	192	231	256	290	300	300	300	300	300
	N·m	1.34	1.61	2.01	2.41	2.68	3.35	4.02	4.83	5.13	6.41	7.69	9.23	10.3	12.8	15.4	19.2	23.1	25.6	29.0	30.0	30.0	30.0	30.0	30.0

■ GEARED MOTOR – 60Hz

Model	Ratio	5	6	7.5	9	10	12.5	15	18	20	25	30	36	40	50	60	75	90	100	120	150	180	200	250	300
		r/min	360	300	240	200	180	144	120	100	90.0	72.0	60.0	50.0	45.0	36.0	30.0	24.0	20.0	18.0	15.0	12.0	10.0	9.0	7.2
SG9KB□ SG9DB□ SG9SB□	kgf·cm	10.9	13.1	16.3	19.6	21.8	27.2	32.7	39.2	41.6	52.0	62.4	74.9	83.2	104	125	156	187	208	235	294	300	300	300	300
	N·m	1.09	1.31	1.63	1.96	2.18	2.72	3.27	3.92	4.16	5.20	6.24	7.49	8.32	10.4	12.5	15.6	18.7	20.8	23.5	29.4	30.0	30.0	30.0	30.0

- ❖ Among GEAR HEAD model names, □ is reduction gear ratio.
- ❖ Value of the chart is allowable torque of reduction gear of GEARED MOTOR.
- ❖ Regarding direction of rotation, in case of □, its reduction gear ratio has same direction with MOTOR's and in case of □, its reduction gear ratio has the opposite direction of MOTOR's.
- ❖ rotation speed is calculated with synchronous rotation number of MOTOR(50Hz : 1500 r/min, 60Hz : 1800 r/min). Actual rotation speed can be less than (2~20%) depend on the size of the load 2~20%.

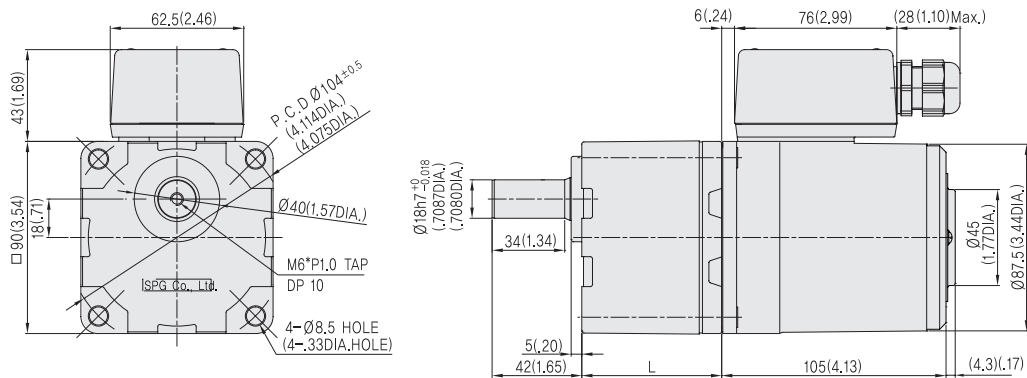
MOTOR



Unit : mm(inch)

MOTOR OUTPUT SHAFT	GEAR TYPE	KEY TYPE	D-CUT TYPE	STRAIGHT TYPE
	SG9R40G□-T	SG9R40K□-T	SG9R40D□-T	SG9R40S□-T

GEARED MOTOR



Unit : mm(inch)

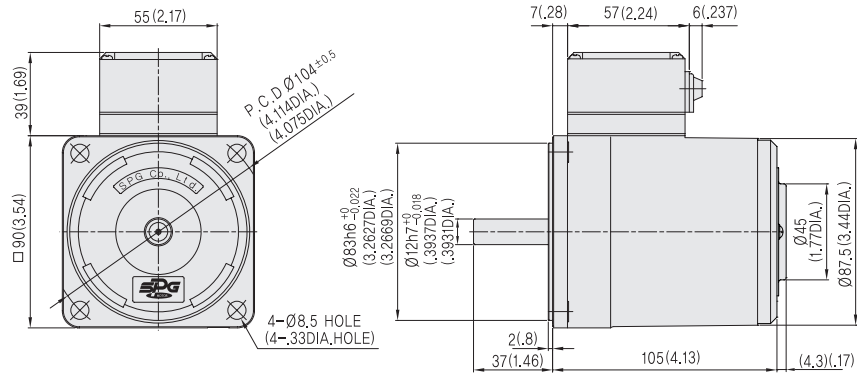
GEAR HEAD OUTPUT SHAFT	KEY TYPE	D-CUT TYPE	STRAIGHT TYPE
	SG9KB□	SG9DB□	SG9SB□

MODEL		GEAR RATIO	L	WEIGHT(kg)
GEAR HEAD	SG9□B□	5~20	45	0.85
		25~100	58	1.15
		120~300	64	1.30
MOTOR	SG9R40□□-T			2.50
	SG9R40□□-T1			2.45
	SG9R40□□-T2			2.65

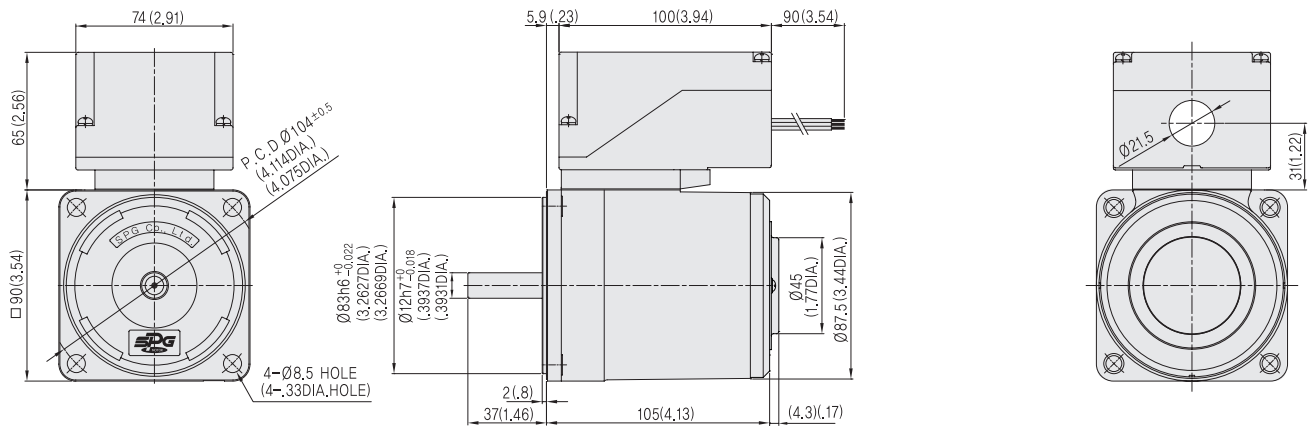
MOTOR

► T1

Unit : mm(inch)



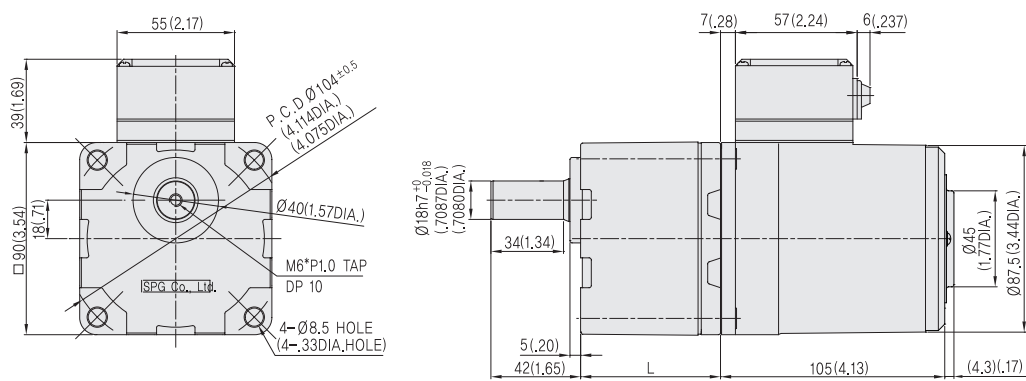
► T2



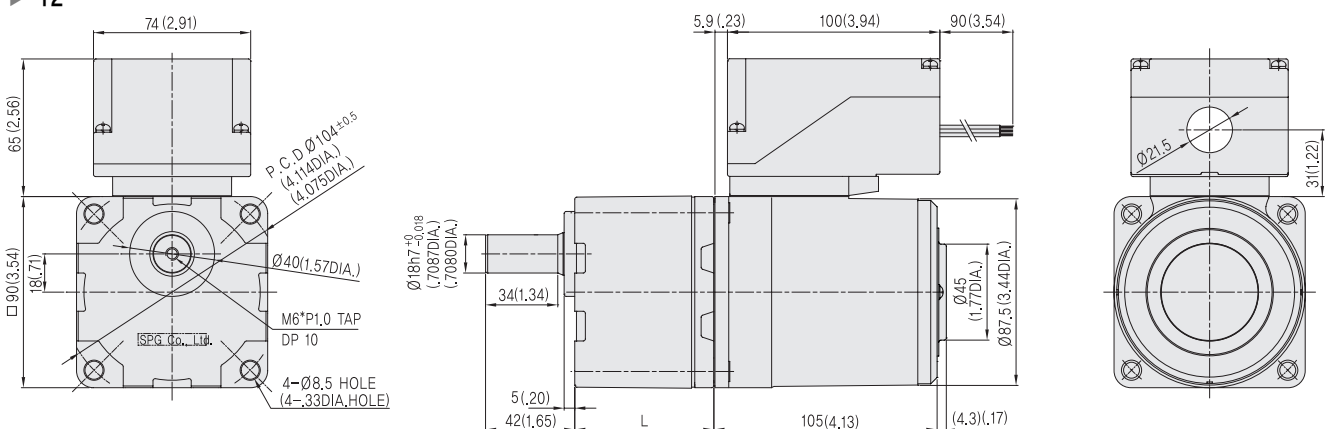
GEARED MOTOR

► T1

Unit : mm(inch)



► T2





60W

REVERSIBLE MOTOR

□ 90mm TERMINAL BOX TYPE



■ MOTOR

Model	Poles	Voltage		Freq. (Hz)	Duty	Rated Load				Starting Torque		Capacitor (μF)	Degree of Protection	Insulation Classification	Protected Type
		Phase	(V)			Current (A)	Speed (r/min)	Torque		(kgf · cm)	(mN · m)				
				(kgf · cm)				(mN · m)							
SG9R60GA-T, T1, T2 SG9R60KA-T, T1, T2 SG9R60DA-T, T1, T2 SG9R60SA-T, T1, T2	4	1	100	50	S2(30min)	1.24	1300	4.40	0.44	5.10	0.51	25.0 (250V)	IP23	B(130)	T.P.
				60		1.53	1600	3.60	0.36	5.30	0.53				
		1	110	60		1.18	1600	3.60	0.36	5.00	0.50	20.0 (250V)			
				60		1.18	1600	3.50	0.35	5.60	0.56				
SG9R60GB-T, T1, T2 SG9R60KB-T, T1, T2 SG9R60DB-T, T1, T2 SG9R60SB-T, T1, T2	4	1	200	50	S2(30min)	0.53	1300	4.30	0.43	5.60	0.56	6.0 (450V)	IP23	B(130)	T.P.
				60		0.61	1600	3.50	0.35	6.20	0.62				
		1	220	50		0.56	1350	4.20	0.42	5.60	0.56	5.0 (450V)			
				60		0.5	1650	3.50	0.35	5.80	0.58				
		1	230	50		0.59	1350	4.20	0.42	6.10	0.61				
				60		0.49	1650	3.50	0.35	6.60	0.66				

- ❖ All the model of SG series received UL, TÜV, CCC certificate.
- ❖ output 6W product is Impedance Protected, 15~90W product is Thermally Protected type.
- ❖ Depend on the voltage, the capacitors are divided into two model. Please inquire separately when operational voltage is AC 100V or 200V.

■ GEARED MOTOR – 50Hz

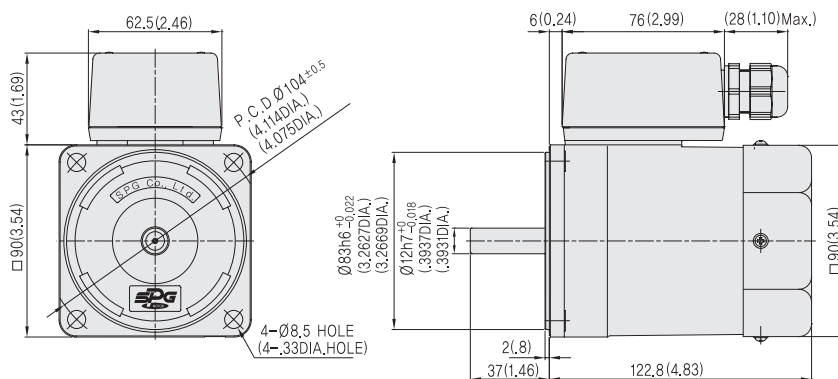
Model	Ratio	5	6	7.5	9	10	12.5	15	18	20	25	30	36	40	50	60	75	90	100	120	150	180	200	250	300	
	r/min	300	250	200	167	150	120	100	83.3	75.0	60.0	50.0	41.6	37.5	30.0	25.0	20.0	16.6	15.0	12.5	10.0	8.3	7.5	6.0	5.0	
SG9KB □	kgf·cm	19.7	23.7	29.6	35.5	39.4	49.3	59.1	71.0	75.3	94.2	113	136	151	188	226	283	300	300	300	300	300	300	300	300	
SG9DB □	N·m	1.97	2.37	2.96	3.55	3.94	4.93	5.91	7.10	7.53	9.42	1.13	13.6	15.1	18.8	22.6	28.3	30.0	30.0	30.0	30.0	30.0	30.0	30.0	30.0	30.0
SG9SB □																										

■ GEARED MOTOR – 60Hz

Model	Ratio	5	6	7.5	9	10	12.5	15	18	20	25	30	36	40	50	60	75	90	100	120	150	180	200	250	300
	r/min	360	300	240	200	180	144	120	100	90.0	72.0	60.0	50.0	45.0	36.0	30.0	24.0	20.0	18.0	15.0	12.0	10.0	9.0	7.2	6.0
SG9KB □	kgf·cm	16.5	19.8	24.8	29.7	33.0	41.3	49.6	59.5	63.1	78.9	94.7	114	126	158	189	237	284	300	300	300	300	300	300	300
SG9DB □	N·m	1.65	1.98	2.48	2.97	3.30	4.13	4.96	5.95	6.31	7.89	9.47	11.4	12.6	15.8	18.9	23.7	28.4	30.0	30.0	30.0	30.0	30.0	30.0	30.0
SG9SB □																									

- ❖ Among GEAR HEAD model names, □ is reduction gear ratio.
- ❖ Value of the chart is allowable torque of reduction gear of GEARED MOTOR.
- ❖ Regarding direction of rotation, in case of ■, its reduction gear ratio has same direction with MOTOR's and in case of □, its reduction gear ratio has the opposite direction of MOTOR's.
- ❖ rotation speed is calculated with synchronous rotation number of MOTOR(50Hz : 1500 r/min, 60Hz : 1800 r/min). Actual rotation speed can be less than (2~20%) depend on the size of the load 2~20%.

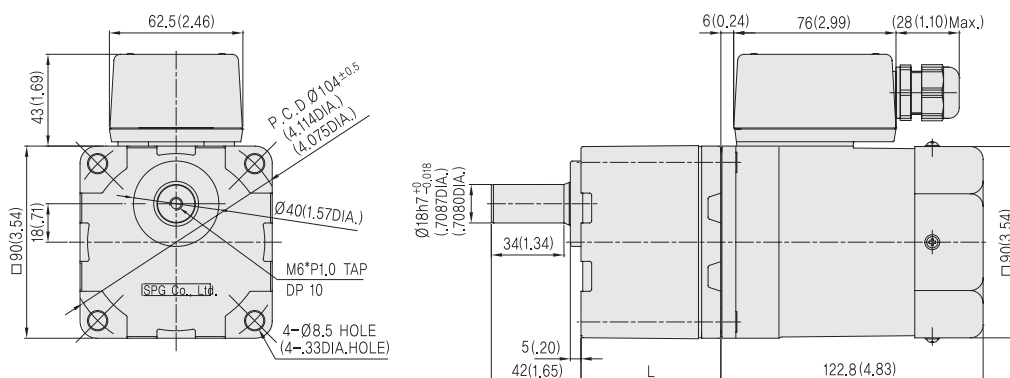
MOTOR



Unit : mm(inch)

MOTOR OUTPUT SHAFT	GEAR TYPE	KEY TYPE	D-CUT TYPE	STRAIGHT TYPE
	SG9R60G□-T	SG9R60K□-T	SG9R60D□-T	SG9R60S□-T

GEARED MOTOR



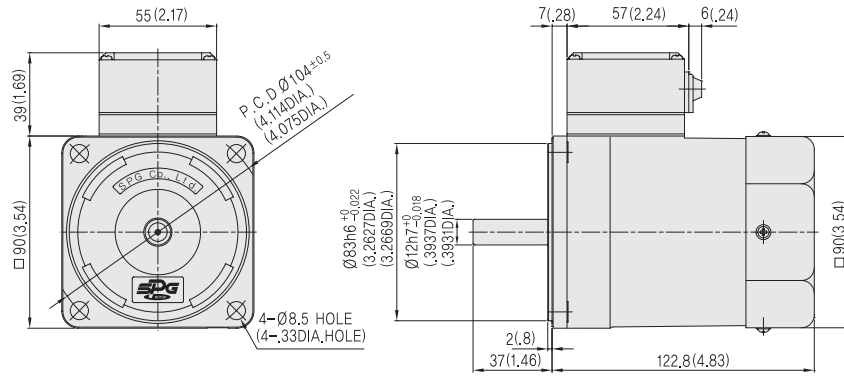
Unit : mm(inch)

GEAR HEAD OUTPUT SHAFT	KEY TYPE	D-CUT TYPE	STRAIGHT TYPE
	SG9KB□	SG9DB□	SG9SB□

MODEL		GEAR RATIO	L	WEIGHT(kg)
GEAR HEAD	SG9□B□	5~20	45	0.85
		25~100	58	1.15
		120~300	64	1.30
MOTOR	SG9R60□□-T			2.65
	SG9R60□□-T1			2.60
	SG9R60□□-T2			2.80

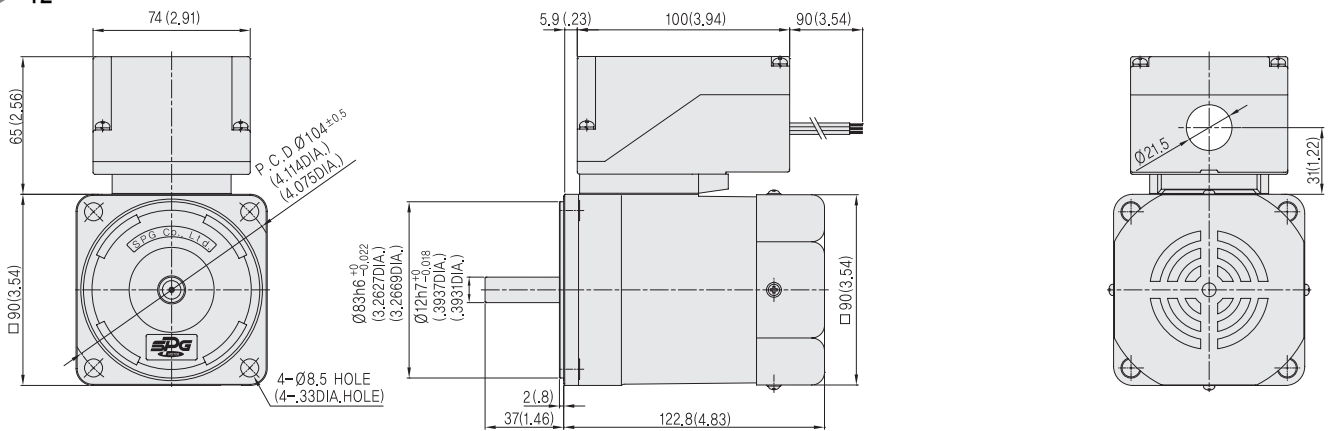
MOTOR

▶ T1



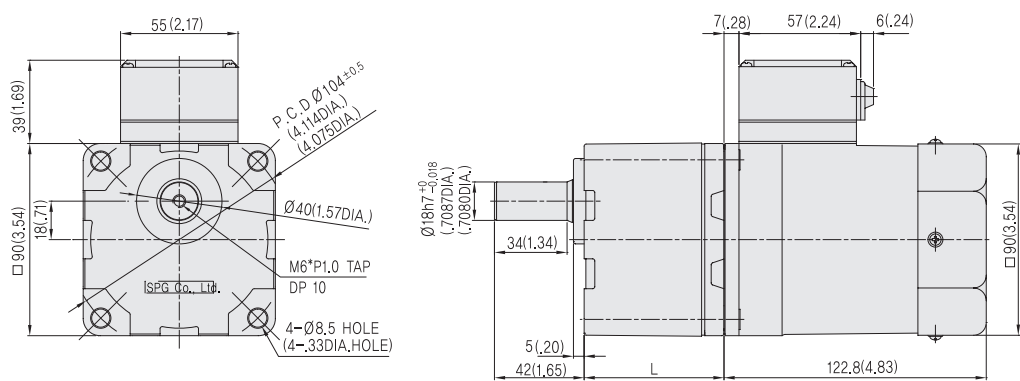
Unit : mm(inch)

▶ T2



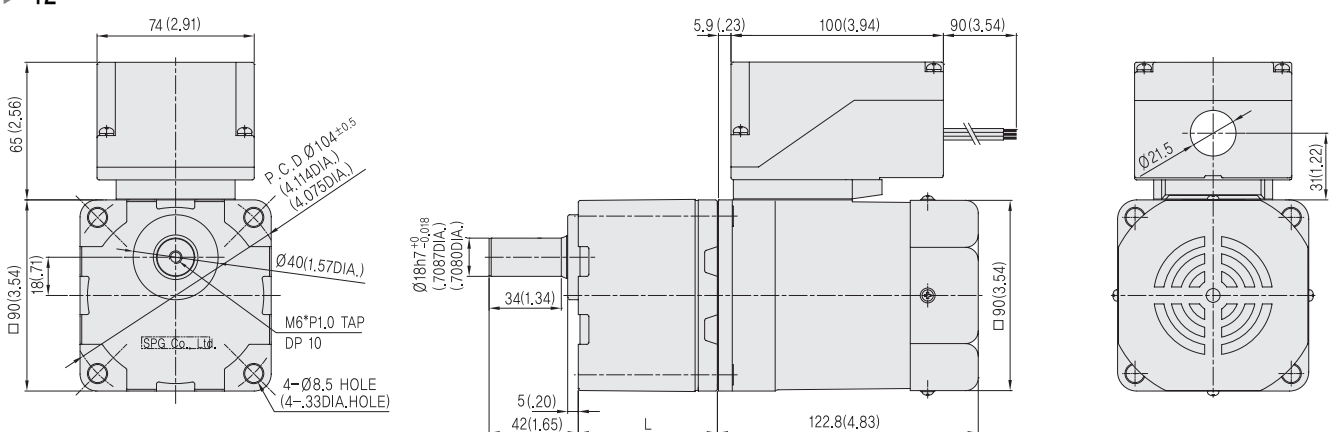
GEARED MOTOR

▶ T1



Unit : mm(inch)

▶ T2





90W

REVERSIBLE MOTOR

□ 90mm TERMINAL BOX TYPE



■ MOTOR

Model	Poles	Voltage		Freq. (Hz)	Duty	Rated Load				Starting Torque		Capacitor (μF)	Degree of Protection	Insulation Classification	Protected Type
		Phase	(V)			Current (A)	Speed (r/min)	Torque		(kgf · cm)	(mN · m)				
				(kgf · cm)				(mN · m)							
SG9R90GA-T, T1, T2 SG9R90KA-T, T1, T2 SG9R90DA-T, T1, T2 SG9R90SA-T, T1, T2	4	1	100	50	S2(30min)	1.78	1250	6.70	0.67	7.50	0.75	35.0 (250V)	IP23	B(130)	T.P.
				60		2.21	1550	5.60	0.56	7.70	0.77				
		1	110	60		1.88	1600	6.60	0.66	8.30	0.83	30.0 (250V)			
				60		1.86	1600	5.40	0.54	9.00	0.90				
SG9R90GB-T, T1, T2 SG9R90KB-T, T1, T2 SG9R90DB-T, T1, T2 SG9R90SB-T, T1, T2	4	1	200	50	S2(30min)	0.88	1250	6.90	0.69	8.10	0.81	8.0 (450V)	IP23	B(130)	T.P.
				60		1.15	1500	5.70	0.57	8.20	0.82				
		1	220	50		0.77	1250	6.70	0.67	8.10	0.81	7.0 (450V)			
				60		0.97	1550	5.50	0.55	8.30	0.83				
		1	230	50		0.77	1300	6.60	0.66	9.30	0.93				
				60		0.97	1550	5.40	0.54	8.90	0.89				

- ❖ All the model of SG series received UL, TÜV, CCC certificate.
- ❖ output 6W product is Impedance Protected, 15~90W product is Thermally Protected type.
- ❖ Depend on the voltage, the capacitors are divided into two model. Please inquire separately when operational voltage is AC 100V or 200V.

■ GEARED MOTOR – 50Hz

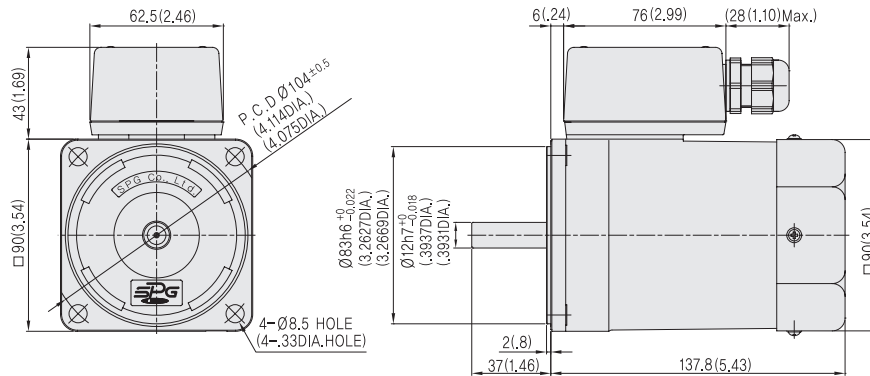
Model	Ratio	5	6	7.5	9	10	12.5	15	18	20	25	30	36	40	50	60	75	90	100	120	150	180	200
		r/min	300	250	200	167	150	120	100	83.3	75.0	60.0	50.0	41.6	37.5	30.0	25.0	20.0	16.6	15.0	12.5	10.0	8.3
SG9KC□ SG9DC□ SG9SC□	kgf·cm	31.1	37.3	46.6	56.0	62.2	77.7	93.3	107	119	149	178	214	238	297	357	400	400	400	400	400	400	400
	N·m	3.11	3.73	4.66	5.60	6.22	7.77	9.33	10.7	11.9	14.9	17.8	21.4	23.8	29.7	35.7	40.0	40.0	40.0	40.0	40.0	40.0	40.0

■ GEARED MOTOR – 60Hz

Model	Ratio	5	6	7.5	9	10	12.5	15	18	20	25	30	36	40	50	60	75	90	100	120	150	180	200
		r/min	360	300	240	200	180	144	120	100	90.0	72.0	60.0	50.0	45.0	36.0	30.0	24.0	20.0	18.0	15.0	12.0	10.0
SG9KC□ SG9DC□ SG9SC□	kgf·cm	25.7	30.8	38.5	46.2	51.3	64.1	77.0	88.2	98.0	123	147	177	196	245	294	346	400	400	400	400	400	400
	N·m	2.57	3.08	3.85	4.62	5.13	6.41	7.70	8.82	9.80	12.3	14.7	17.7	19.6	24.5	29.4	34.6	40.0	40.0	40.0	40.0	40.0	40.0

- ❖ Among GEAR HEAD model names, □ is reduction gear ratio.
- ❖ Value of the chart is allowable torque of reduction gear of GEARED MOTOR.
- ❖ Regarding direction of rotation, in case of ■, its reduction gear ratio has same direction with MOTOR's and in case of □, its reduction gear ratio has the opposite direction of MOTOR's.
- ❖ rotation speed is calculated with synchronous rotation number of MOTOR(50Hz : 1500 r/min, 60Hz : 1800 r/min).
Actual rotation speed can be less than (2~20%) depend on the size of the load 2~20%.

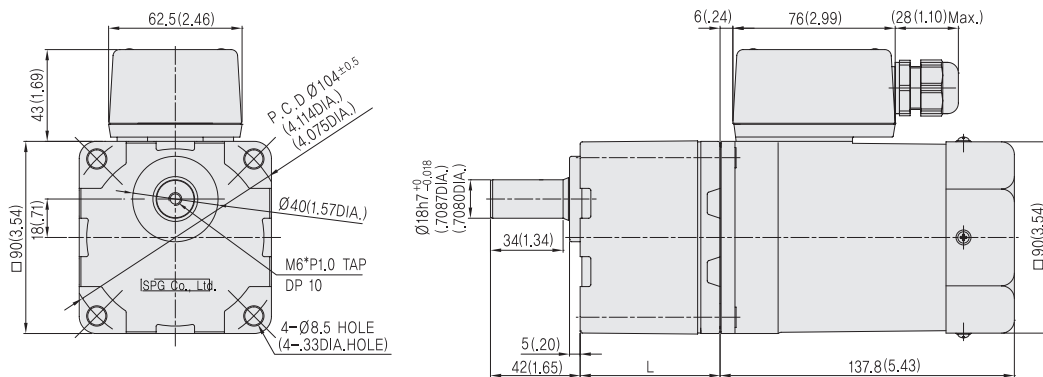
MOTOR



Unit : mm(inch)

MOTOR OUTPUT SHAFT	GEAR TYPE	KEY TYPE	D-CUT TYPE	STRAIGHT TYPE
	SG9R90G□-T	SG9R90K□-T	SG9R90D□-T	SG9R90S□-T

GEARED MOTOR



Unit : mm(inch)

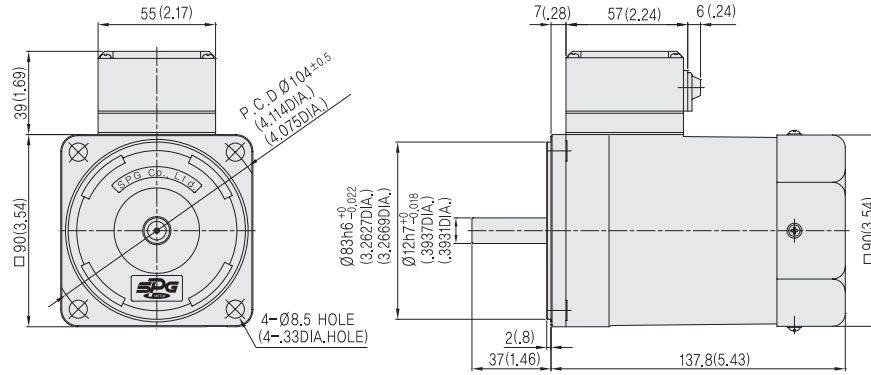
GEAR HEAD OUTPUT SHAFT	KEY TYPE	D-CUT TYPE	STRAIGHT TYPE
	SG9K□	SG9DC□	SG9S□

MODEL		GEAR RATIO	L	WEIGHT(kg)
GEAR HEAD	SG9□□□	5~15	45	0.85
		18~36	58	1.15
		50~180	70	1.42
MOTOR	SG9R90□□-T			3.15
	SG9R90□□-T1			3.10
	SG9R90□□-T2			3.30

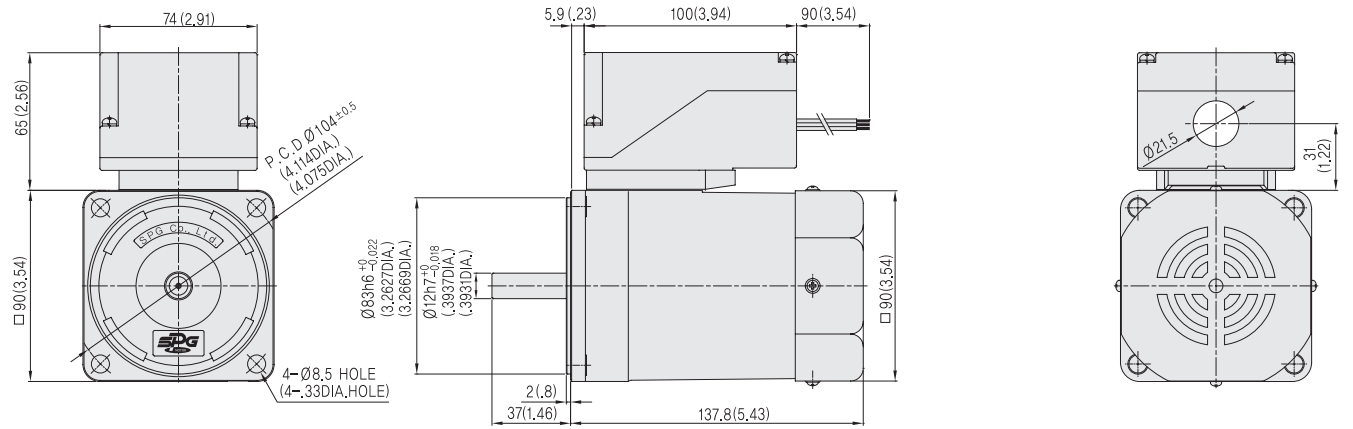
MOTOR

► T1

Unit : mm(inch)



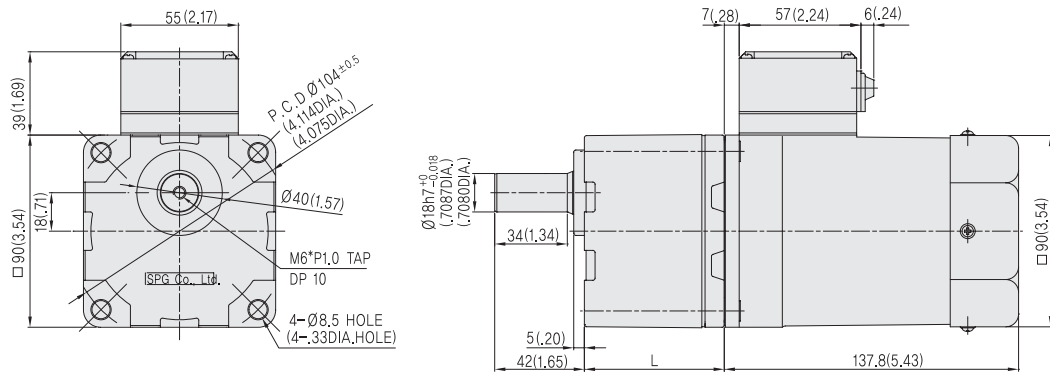
► T2



GEARED MOTOR

► T1

Unit : mm(inch)



► T2

