

Low Noise GEARED MOTOR

NEW H-SERIES



Low Noise GEARED MOTOR 15/20W

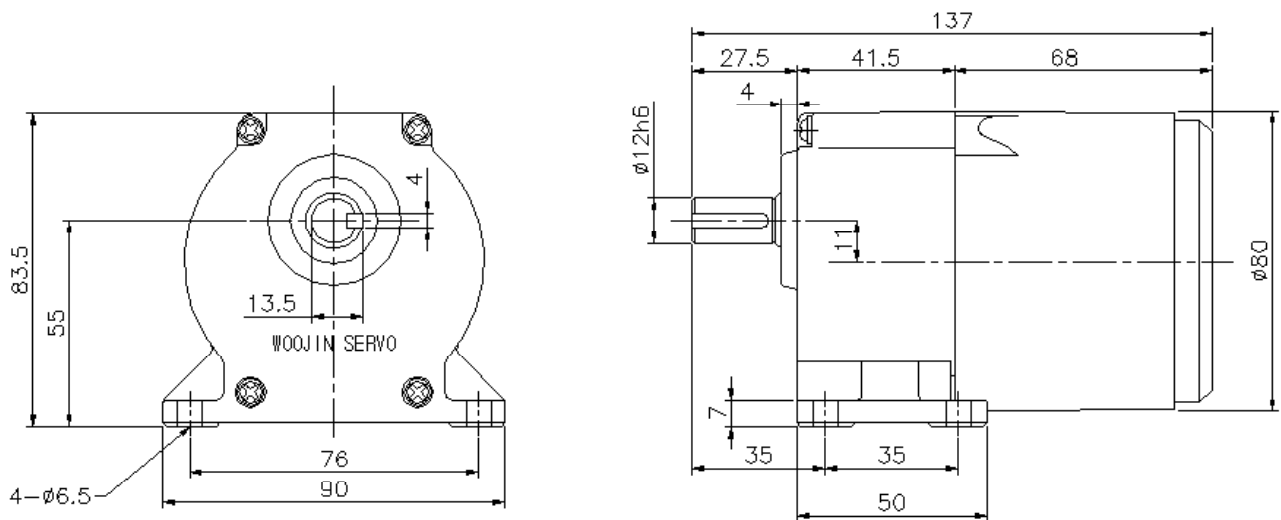
8NS-Series

INTEGRATED TYPE

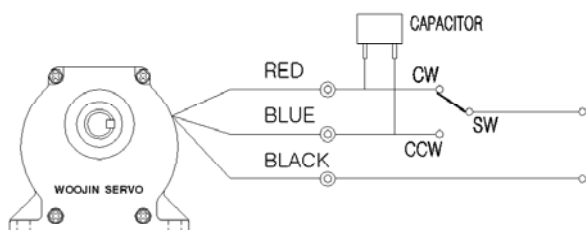
PERFORMANCE DATA (DUTY : 30Min.)

MODEL	MOTOR						GEAR HEAD			
	OUTPUT	VOLTAGE	FREQ.	SPEED	CURRENT	COND.	GEAR RATIO	SPEED	TORQUE	O.H.L
	(W)	(V)	(Hz)	(RPM)	(A)	(uF)		(RPM)	(kg.cm)	(kg)
RH8NS15-10-160	15	100	50	1250	0.50	4.0 (250VAC)	1/160	7.8	100	80
			60	1550				9.6		
RH8NS15-22-160		220	50	1250	0.25	1.2 (450VAC)		7.8		
			60	1550				9.6		
RH8NS20-10-160	20	100	50	1250	0.75	8.0 (250VAC)	1/160	7.8	150	80
			60	1550				9.6		
RH8NS20-22-160		220	50	1250	0.35	1.5 (450VAC)		7.8		
			60	1550				9.6		

OUTLINE DIMENSION



WIRING DIAGRAM



- INTEGRATED GEARED MOTOR
- LOW NOISE & COMPACT STYLE
- EASY MOUNTING

Low Noise GEARED MOTOR 25/40W

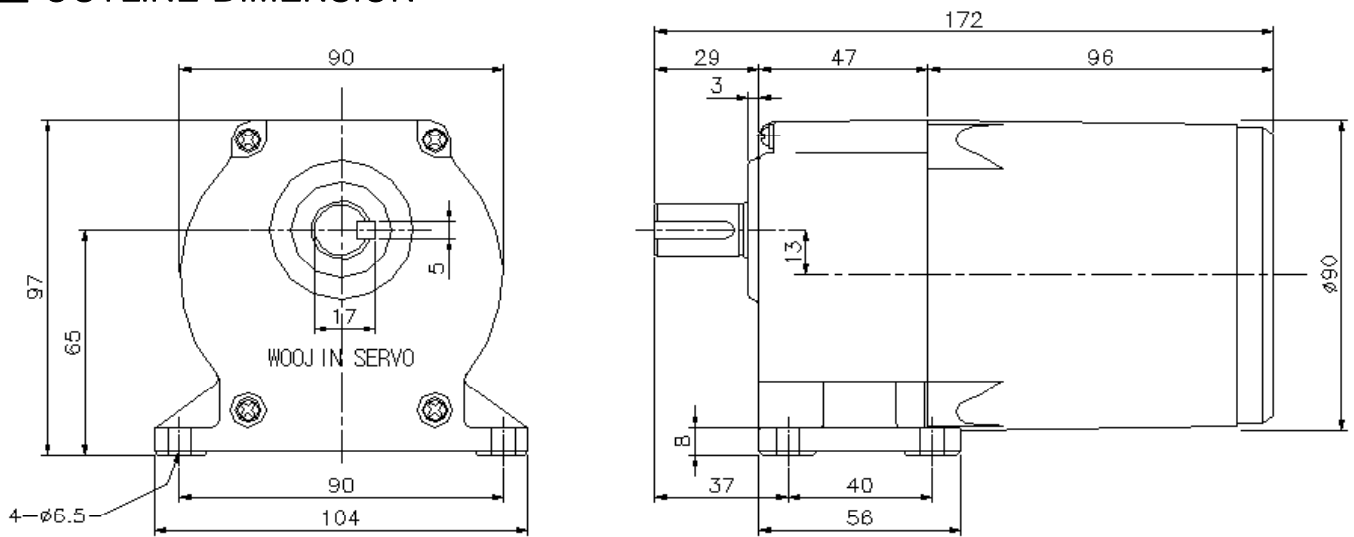
9NS-Series

INTEGRATED TYPE

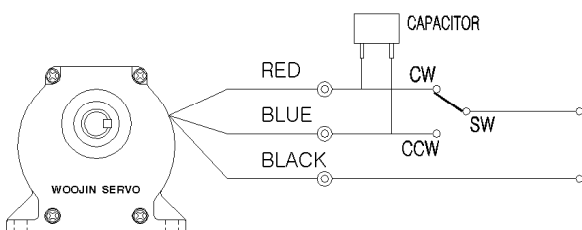
PERFORMANCE DATA (DUTY : 30Min.)

MODEL	MOTOR						GEAR HEAD			
	OUTPUT	VOLTAGE	FREQ.	SPEED	CURRENT	COND.	GEAR RATIO	SPEED	TORQUE	O.H.L
	(W)	(V)	(Hz)	(RPM)	(A)	(μ F)		(RPM)	(kg.cm)	(kg)
RH9NS25-10-160	25	100	50	1250	0.80	10.0 (250VAC)	1/160	7.8	170	110
			60	1550				9.6		
RH9NS25-22-160		220	50	1250	0.40	2.0 (450VAC)		7.8		
			60	1550				9.6		
RH9NS40-10-160	40	100	50	1250	1.20	16.0 (250VAC)	1/160	7.8	270	140
			60	1550				9.6		
RH9NS40-22-160		220	50	1250	0.55	3.0 (450VAC)		7.8		
			60	1550				9.6		

OUTLINE DIMENSION



WIRING DIAGRAM



- INTEGRATED GEARED MOTOR
- LOW NOISE & COMPACT STYLE
- EASY MOUNTING